

MARK	DESCRIPTION	DATE	APPR.

DATE: 2020
 SUBMITTED BY: Charles P. Brantley IV, P.E.
 DESIGNED BY: Charles P. Brantley IV, P.E.
 DWN BY: CPB
 U.S. ARMY CORPS OF ENGINEERS
 NEW ORLEANS DISTRICT
 NEW ORLEANS, LOUISIANA

CONTRACT NO.: W91296-08-A-0001
 FILE NUMBER: HX-XXXX
 PLOT SCALE: PLOT DATE: MAR, 2020
 SIZE: XXX-1
 FILE NAME: S-01_Final_Report_Drawing S-01 Site and Vicinity.dgn

COASTAL TEXAS PROTECTION AND RESTORATION FEASIBILITY STUDY DRAFT ENGINEERING APPENDIX (NOT FOR CONSTRUCTION)

SITE & VICINITY PLAN

1

2

3

4

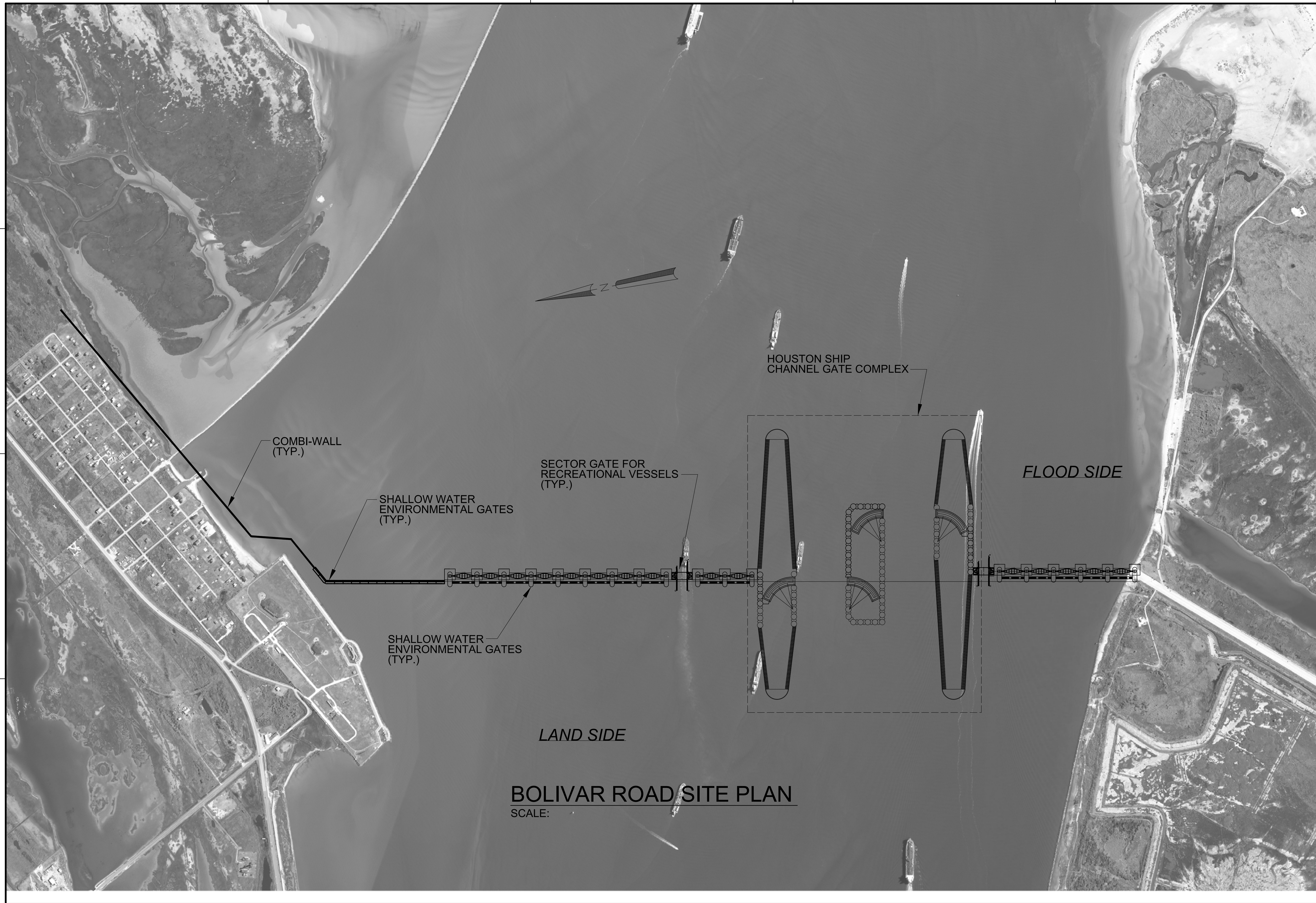
5

D

C

B

A



BOLIVAR ROAD SITE PLAN
 SCALE:



MARK	DESCRIPTION	DATE	APPR.	MARK	DESCRIPTION	DATE	APPR.

DESIGNED BY:	DATE:	SOLICITATION NO.:
DWN BY:	MAR. 2020	WB12P9-##-X-###
OK'D BY:	CPE	CONTRACT NO.:
SUBMITTED BY:	Charles P. Brantstetter IV, P.E.	WB12P9-##-X-###
FILE NUMBER:	XXXX-1	FILE NAME:
FILE NAME:	MAR. 2020	FILE NAME:
FILE NAME:	FILE NAME:	FILE NAME:

U.S. ARMY CORPS OF ENGINEERS
 NEW ORLEANS DISTRICT
 NEW ORLEANS, LOUISIANA

COASTAL TEXAS PROTECTION AND RESTORATION FEASIBILITY STUDY
 DRAFT ENGINEERING APPENDIX
 (NOT FOR CONSTRUCTION)

BOLIVAR ROAD SITE PLAN

Sheet ID
S-02

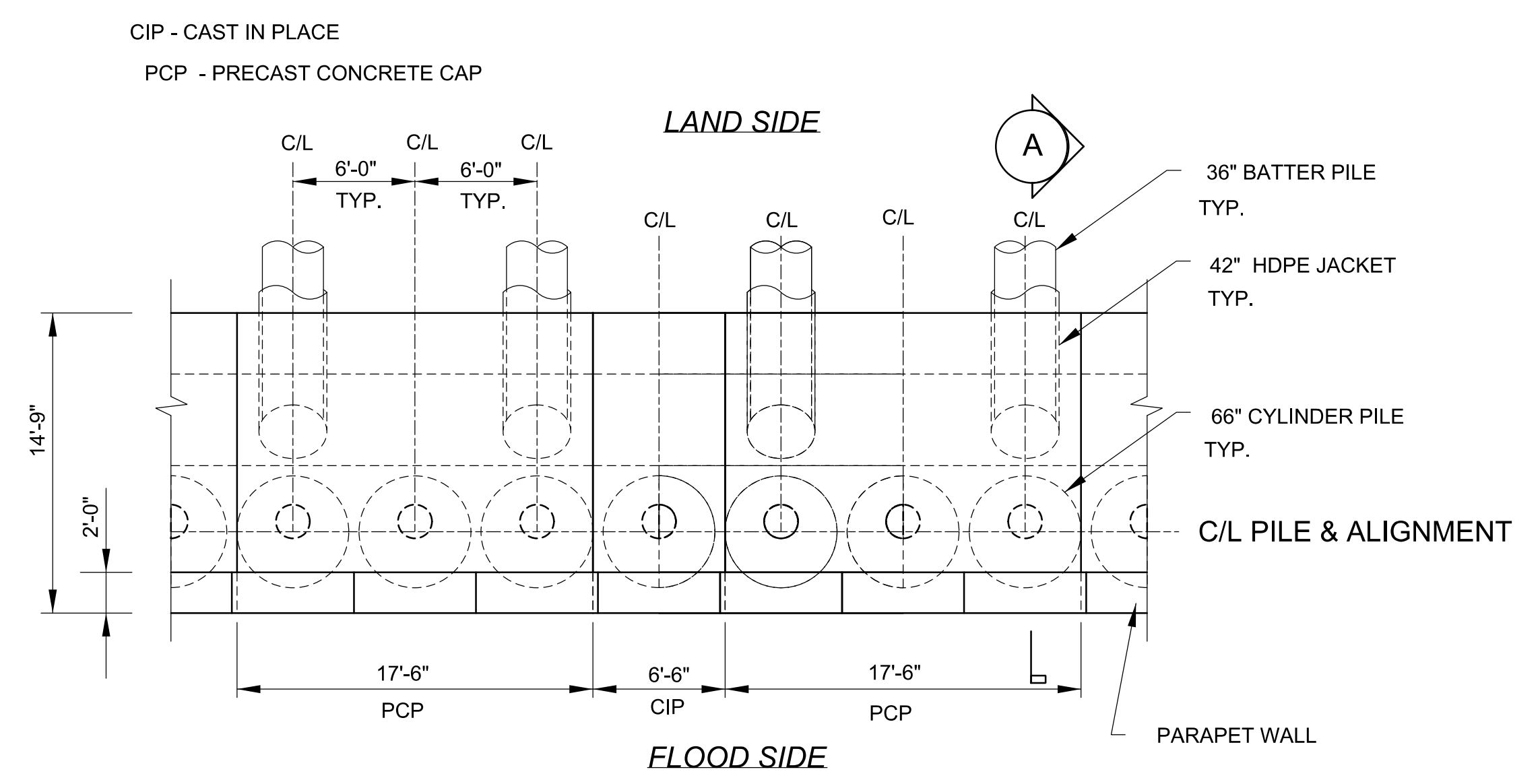
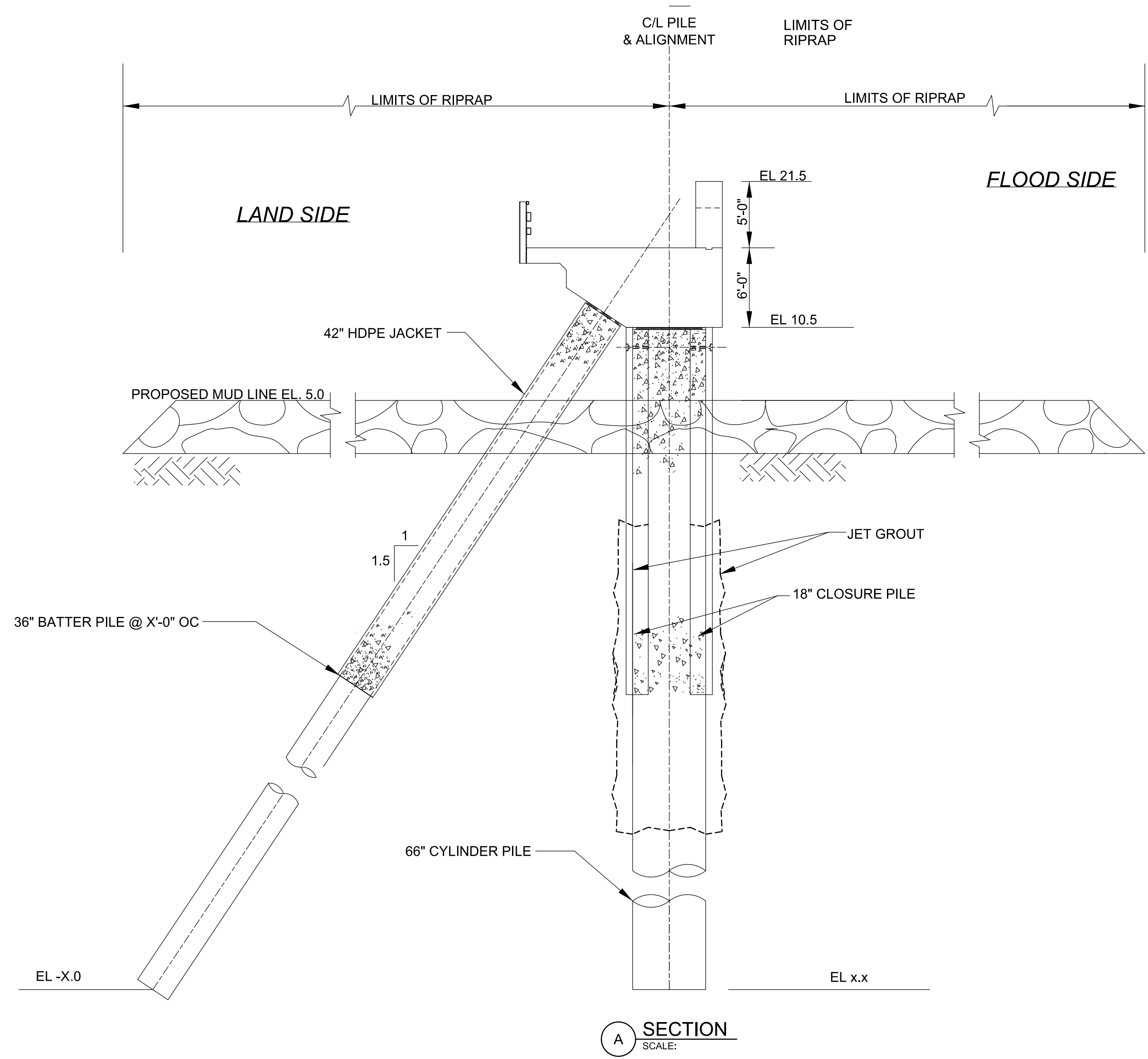
auto_time

D

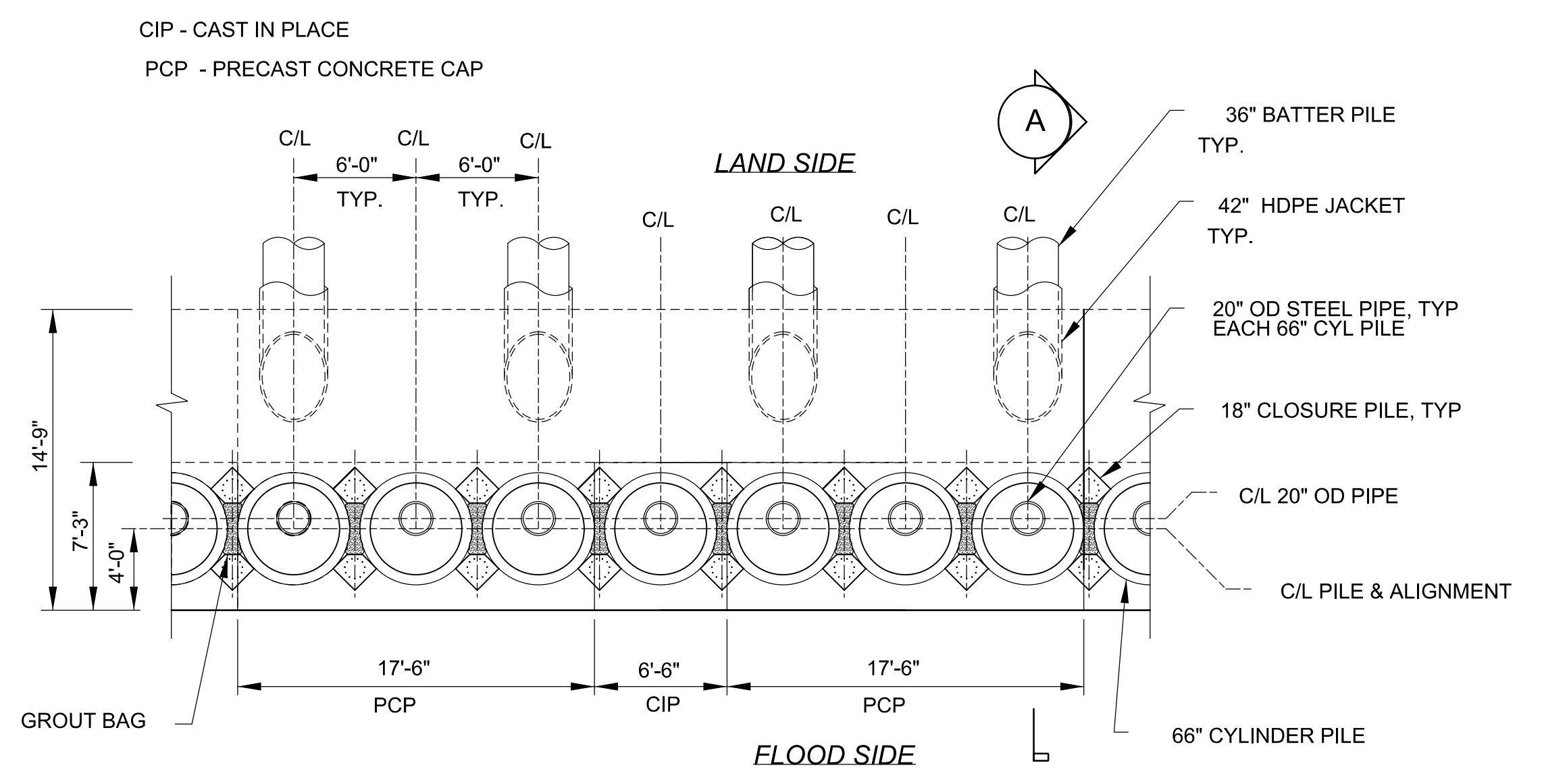
C

B

A



COMBI-WALL PLAN EL. 21.5



COMBI-WALL PLAN EL. 10.5



MARK	DESCRIPTION	DATE	APPR.

DESIGNED BY:	DATE:	CONTRACT NO.:	FILE NUMBER:
DWN BY:	DATE:	CONTRACT NO.:	FILE NUMBER:
SUBMITTED BY:	DATE:	CONTRACT NO.:	FILE NUMBER:
U.S. ARMY CORPS OF ENGINEERS NEW ORLEANS DISTRICT NEW ORLEANS, LOUISIANA	U.S. ARMY CORPS OF ENGINEERS NEW ORLEANS DISTRICT NEW ORLEANS, LOUISIANA	U.S. ARMY CORPS OF ENGINEERS NEW ORLEANS DISTRICT NEW ORLEANS, LOUISIANA	U.S. ARMY CORPS OF ENGINEERS NEW ORLEANS DISTRICT NEW ORLEANS, LOUISIANA

COASTAL TEXAS PROTECTION AND RESTORATION FEASIBILITY STUDY DRAFT ENGINEERING APPENDIX (NOT FOR CONSTRUCTION)

SITE PLAN

1

2

3

4

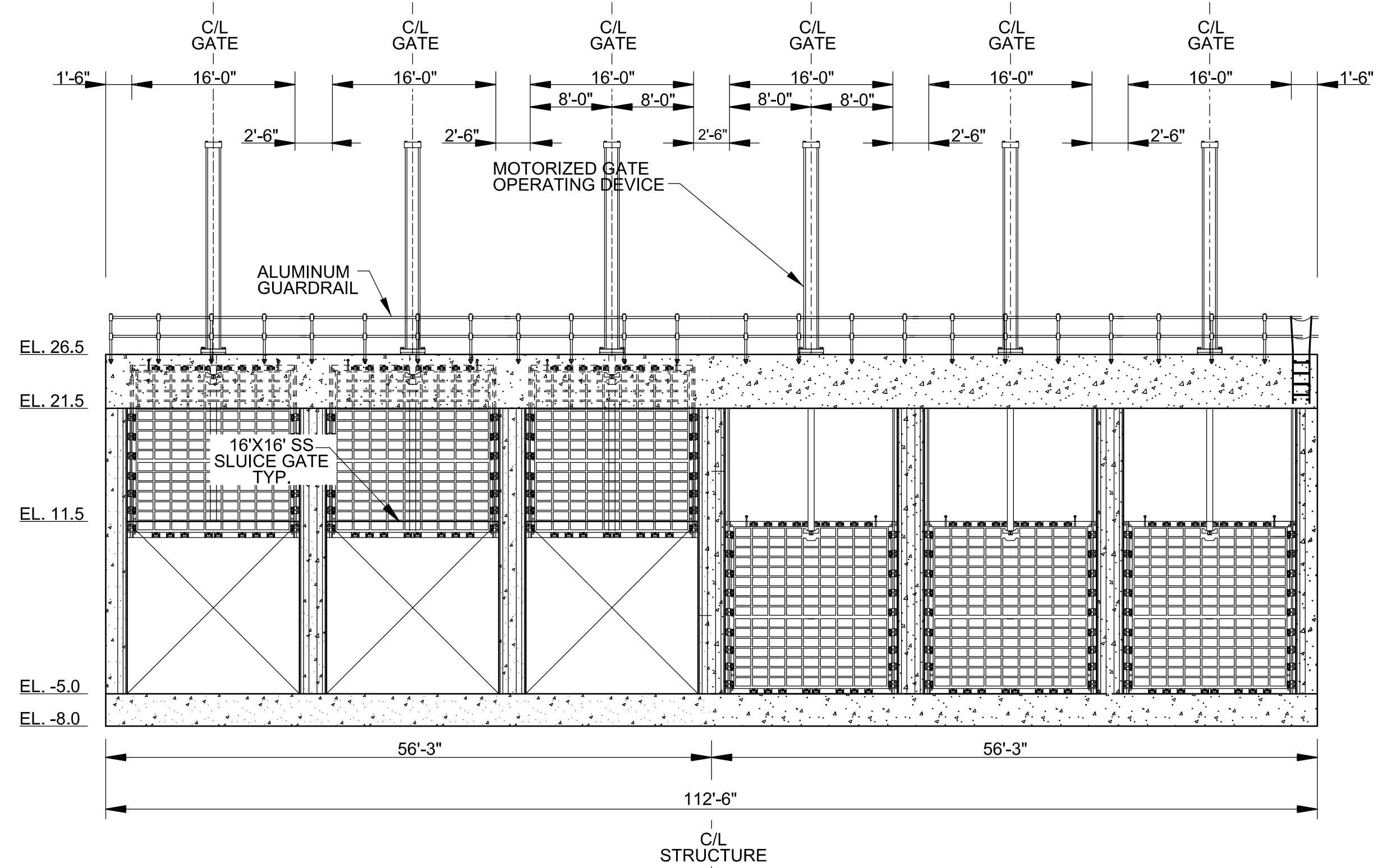
5

D

C

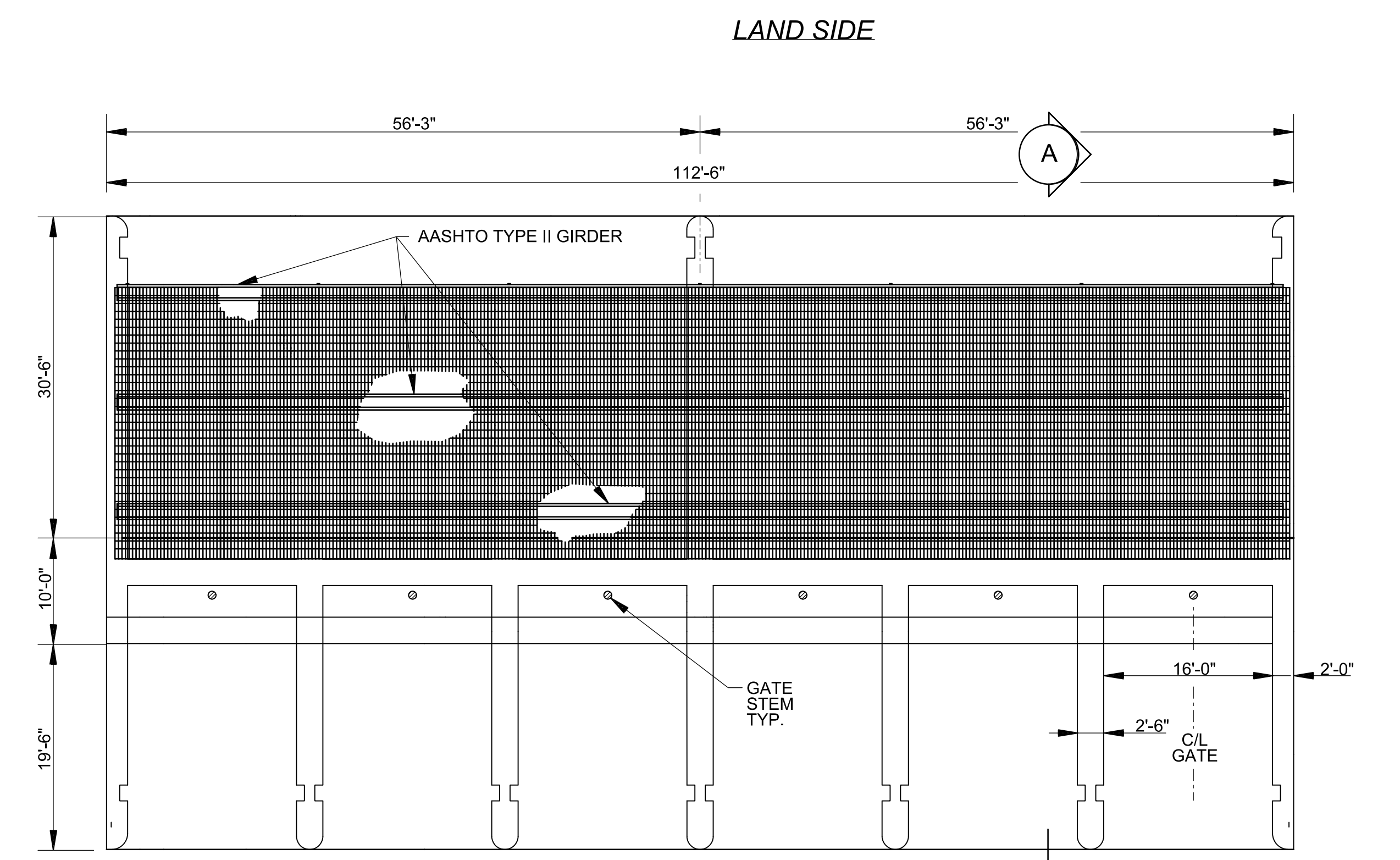
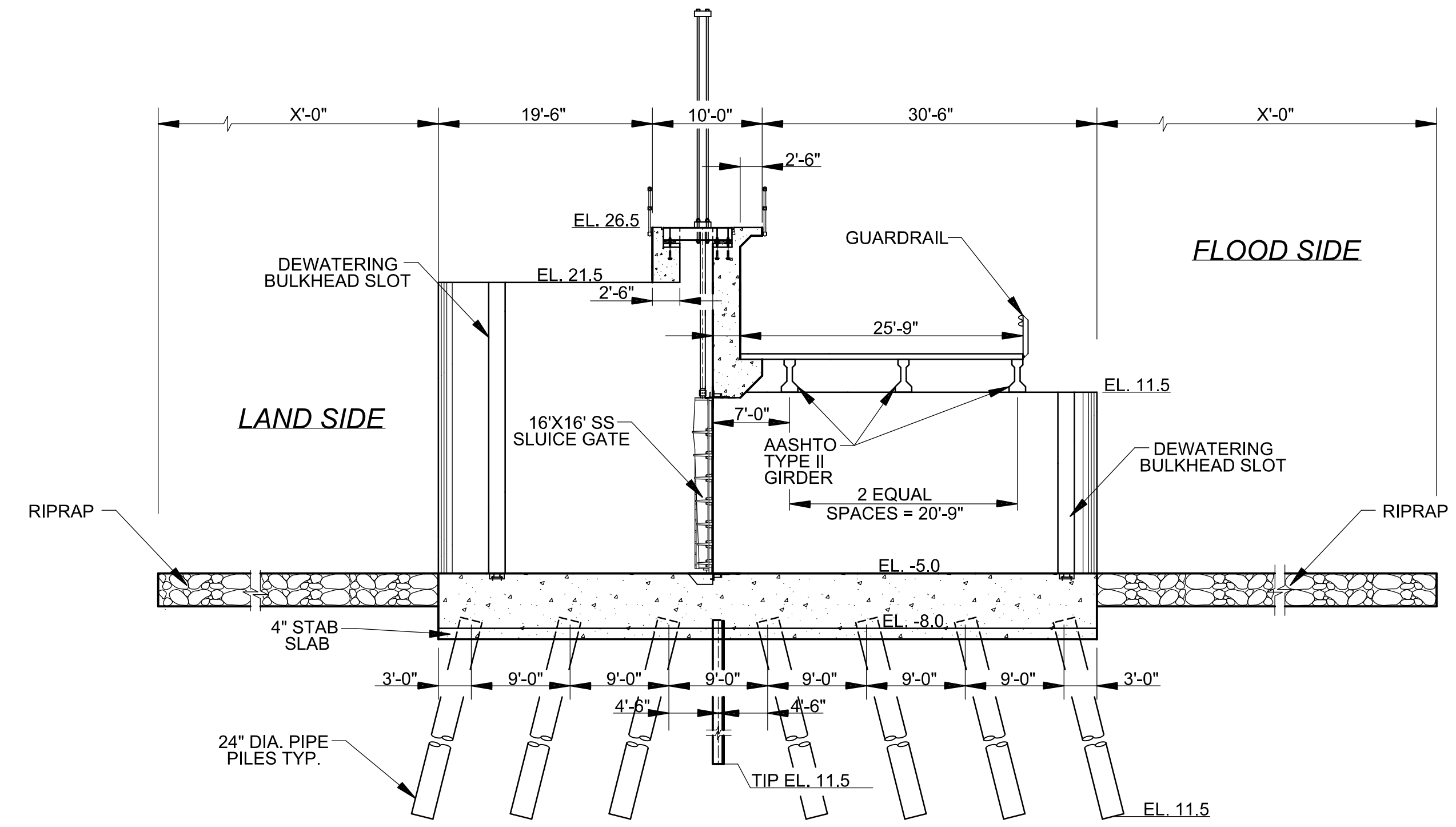
B

A



FLOODSIDE - GATES OPEN

FLOODSIDE - GATES CLOSED



FLOOD SIDE



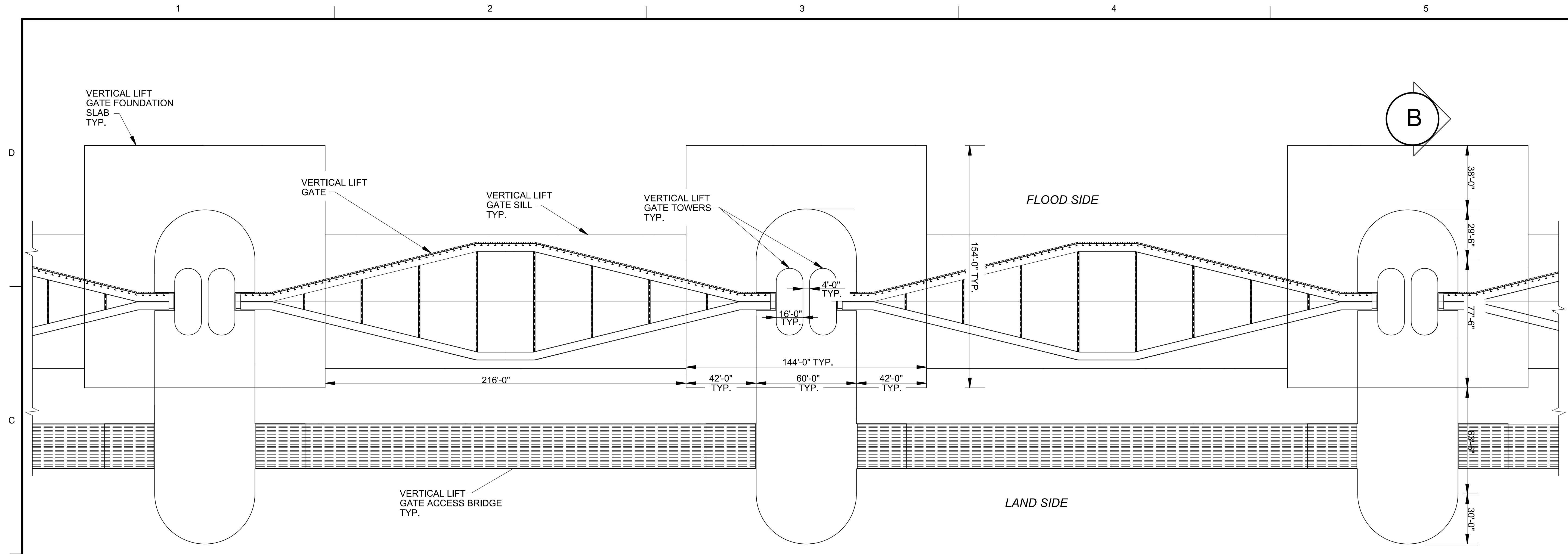
APPR.	DATE	DESCRIPTION

DESIGNED BY:	DATE: 2020
DWN BY:	CONTRACT NO.:
SUBMITTED BY:	CONTRACT NO.:
U.S. ARMY CORPS OF ENGINEERS	FILE NUMBER:
NEW ORLEANS DISTRICT	FILE NAME:
NEW ORLEANS, LOUISIANA	ANSI D

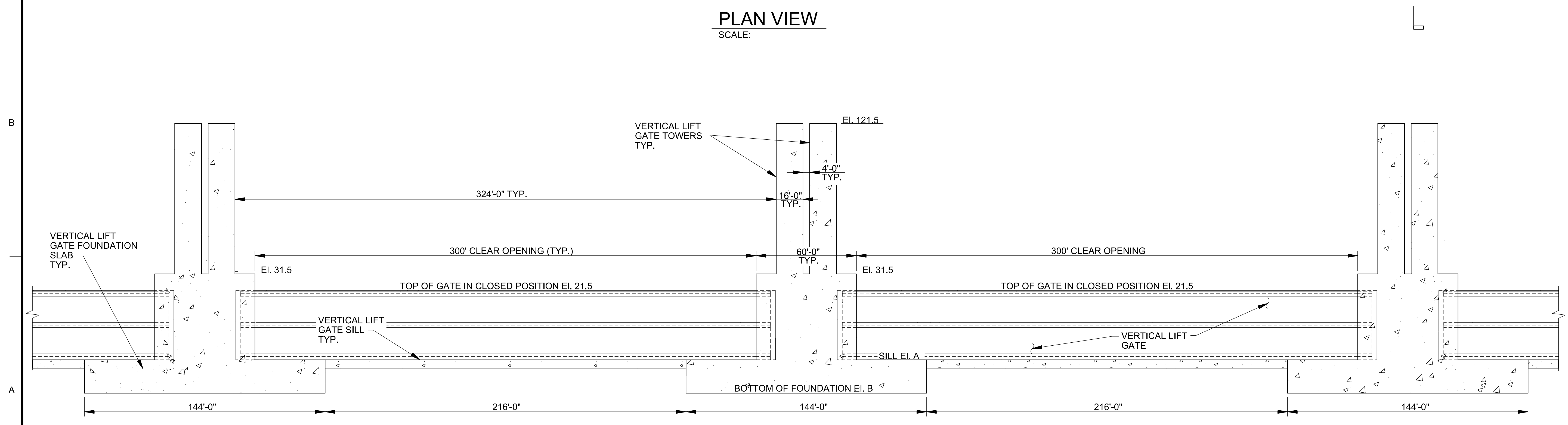
COASTAL TEXAS PROTECTION AND RESTORATION FEASIBILITY STUDY DRAFT ENGINEERING APPENDIX (NOT FOR CONSTRUCTION)

SITE PLAN

Sheet ID
S-04



PLAN VIEW
SCALE:



FLOODSIDE ELEVATION
SCALE:

NOTES: 1. PILES NOT SHOWN FOR CLARITY

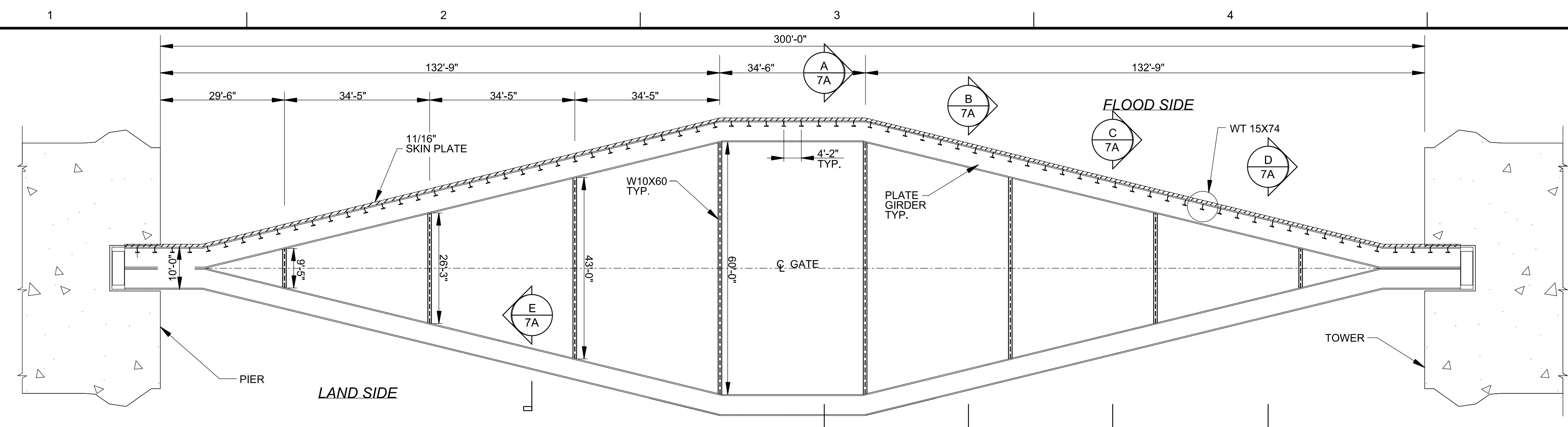


MARK	DESCRIPTION	DATE	APPR.	MARK

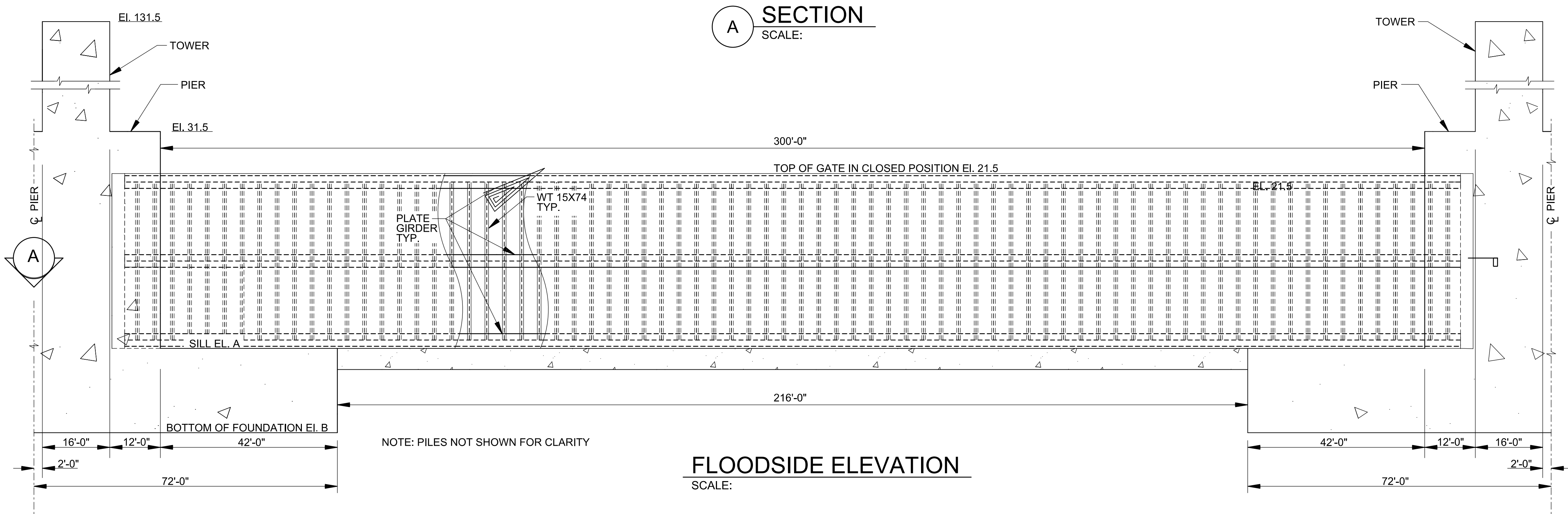
DESIGNED BY:	DATE: 2020	STATION NO.:
DWN BY:	CONTRACT NO.:	FILE NUMBER:
SUBMITTED BY:	CHARLES P. BRIDGES, P.E.	FILE NAME:
PLOT SCALE:	1" = 10'-0"	
SIZE:	ANSI D	

U.S. ARMY CORPS OF ENGINEERS
NEW ORLEANS DISTRICT
NEW ORLEANS, LOUISIANA

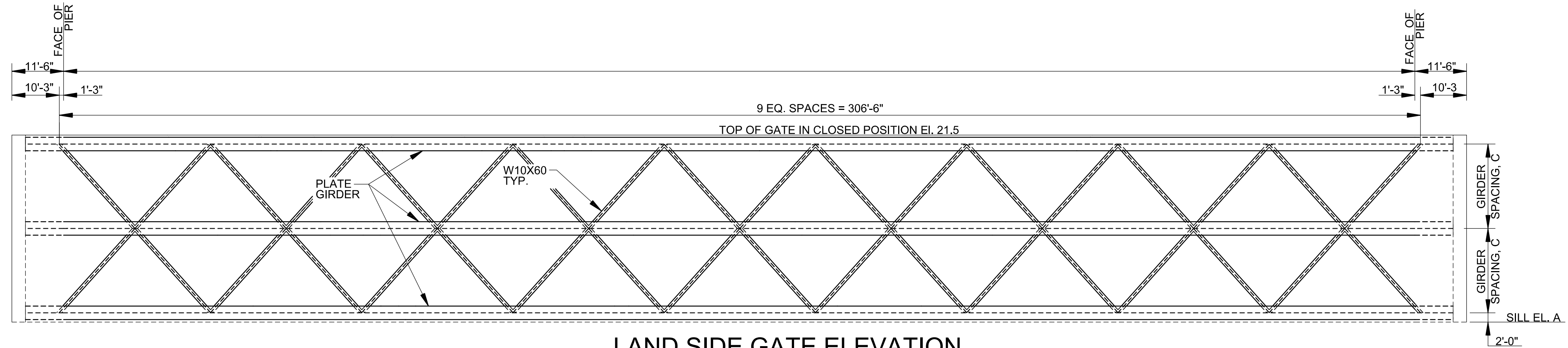
COASTAL TEXAS PROTECTION AND RESTORATION FEASIBILITY STUDY
DRAFT ENGINEERING APPENDIX
(NOT FOR CONSTRUCTION)



SECTION A
SCALE:



FLOODSIDE ELEVATION
SCALE:

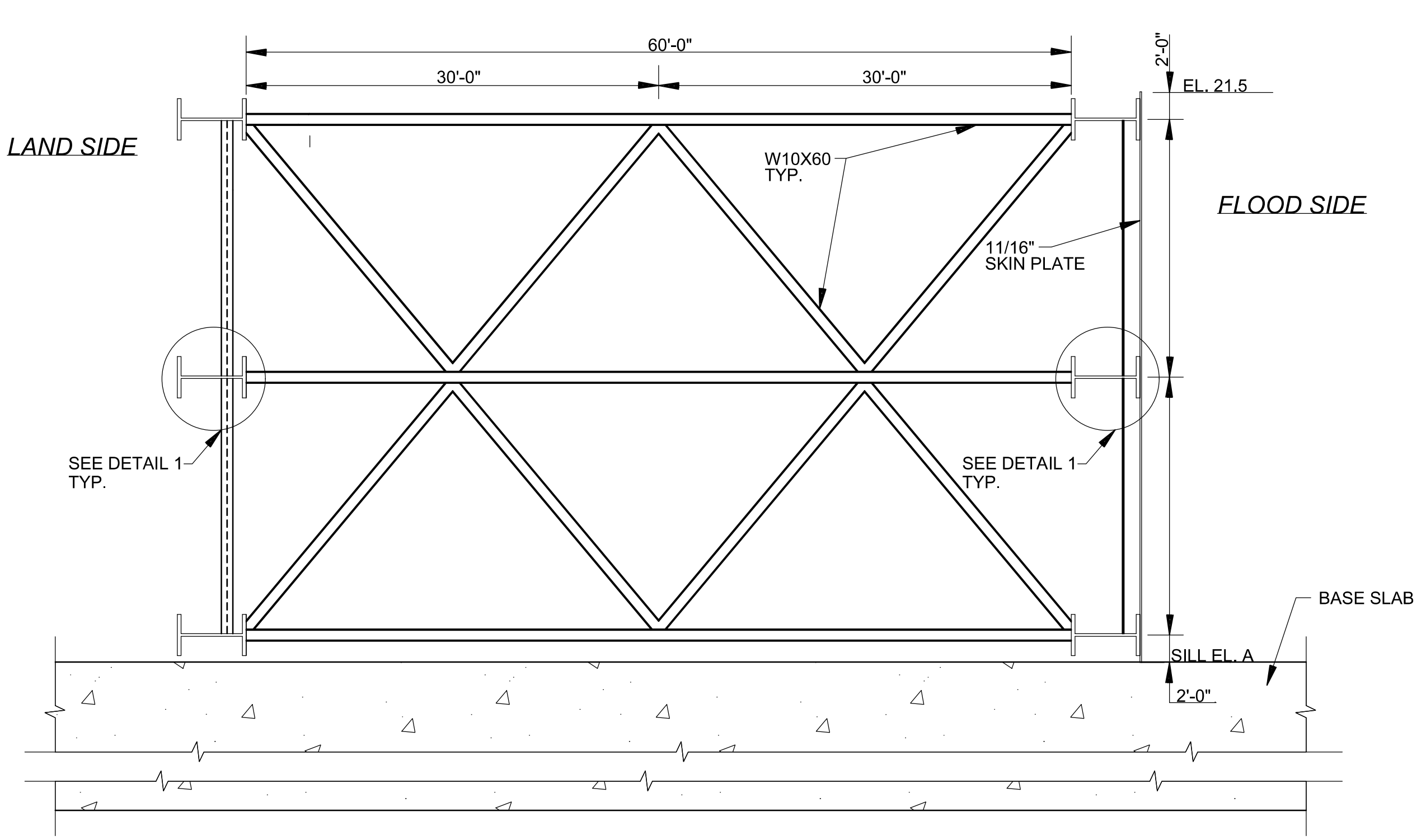


LAND SIDE GATE ELEVATION
SCALE:

DATE	DESCRIPTION

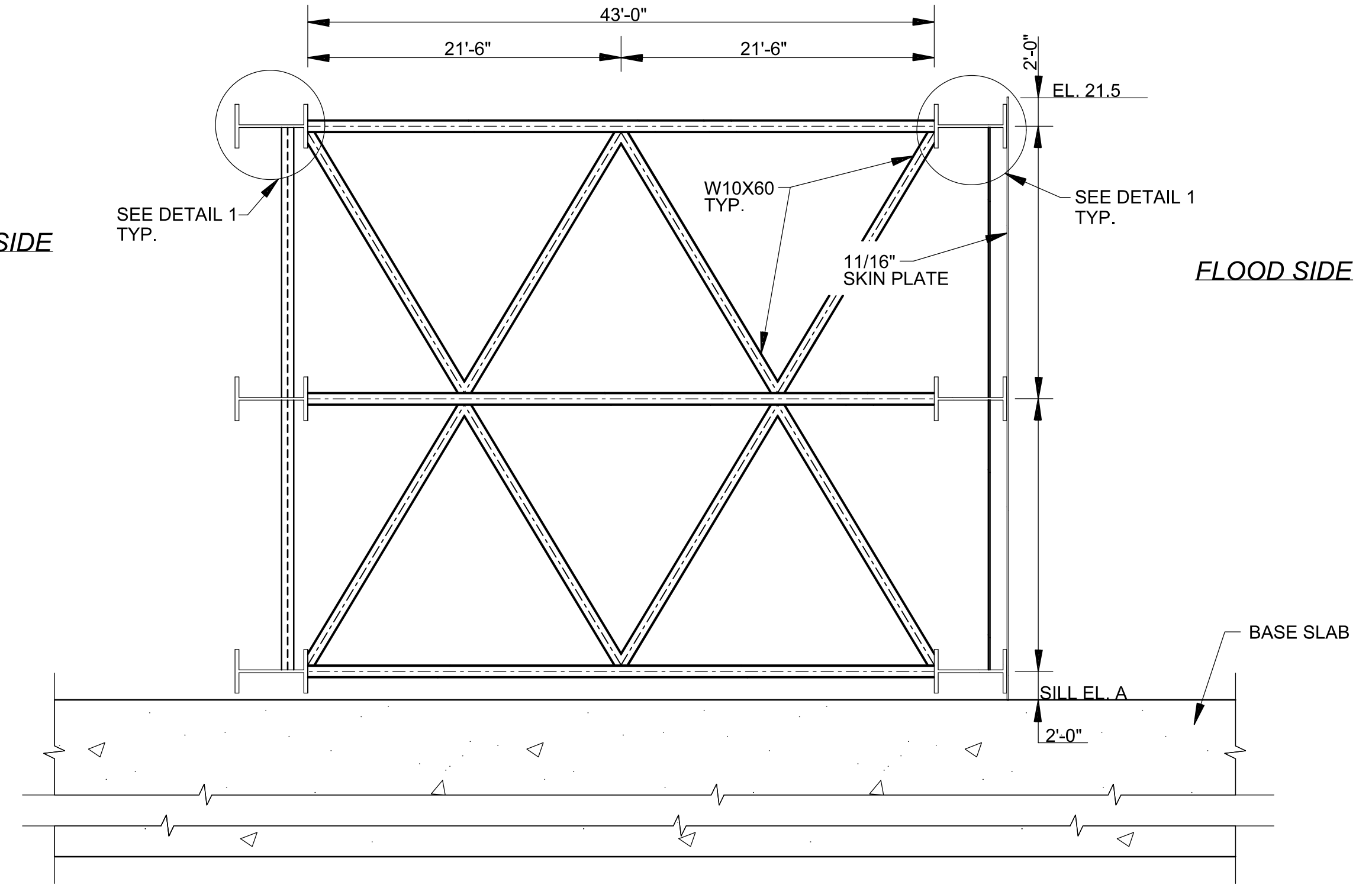
DESIGNED BY: U.S. ARMY CORPS OF ENGINEERS NEW ORLEANS DISTRICT NEW ORLEANS, LOUISIANA	DATE: 2020	SUBMITTAL NO.: W91298-19-A-0001
DWN BY: CPS BY: SUBMITTED BY: Charles P. Brantley IV, P.E.	CONTRACT NO.: W91298-19-A-0001	FILE NUMBER: H-A-XXXX
DESIGNED BY:	DATE:	FILE NAME:
DWN BY:	CONTRACT NO.:	ANSI D
SUBMITTED BY:	CONTRACT NO.:	
CHARLES P. BRANTLEY IV, P.E.	FILE NUMBER:	
PLANT SCALE:	FILE NAME:	
XXXX-1	FILE NAME:	
SIZE:		
ANSI D		

COASTAL TEXAS PROTECTION AND RESTORATION FEASIBILITY STUDY
DRAFT ENGINEERING APPENDIX
(NOT FOR CONSTRUCTION)

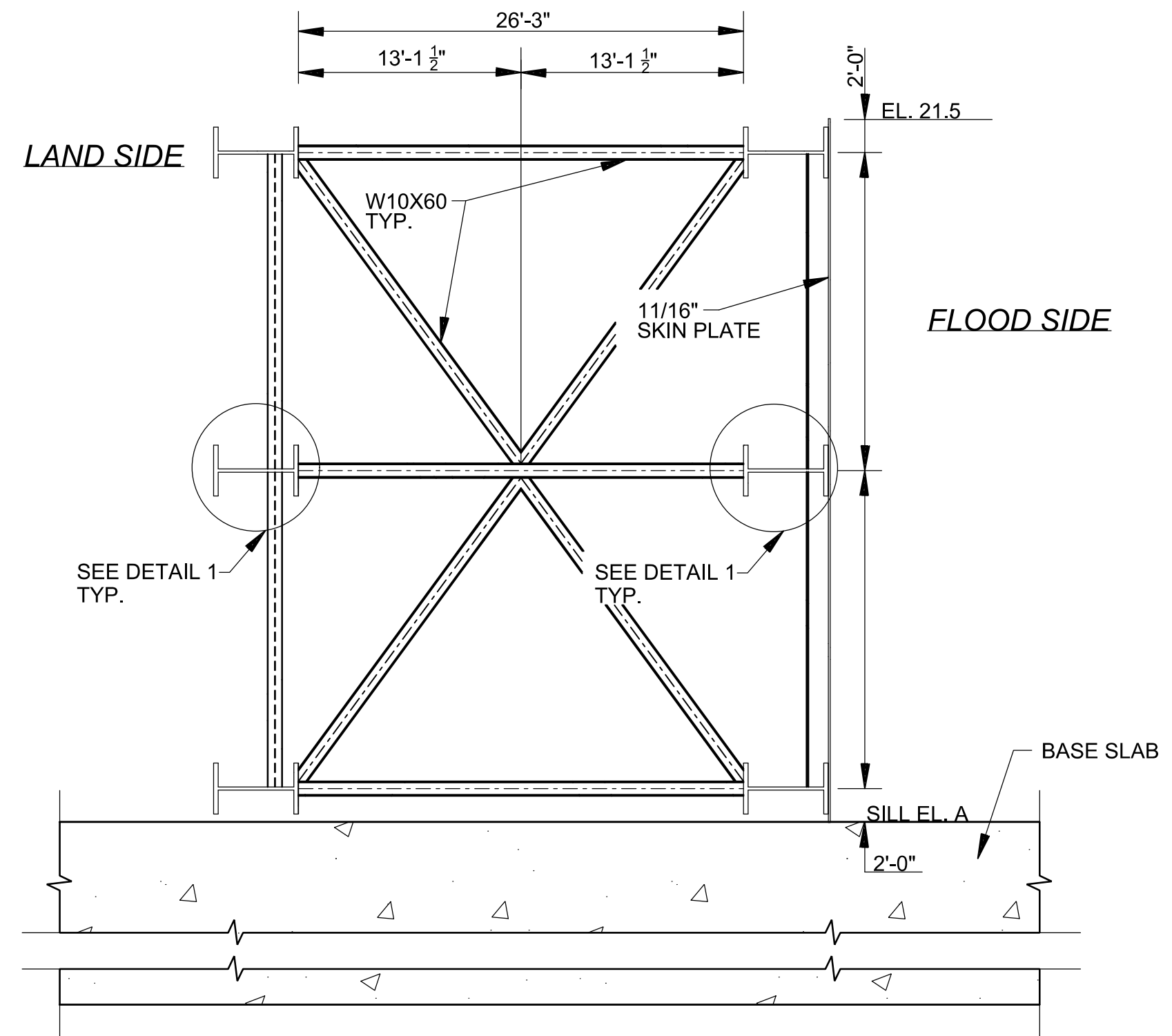


A GATE SECTION
SHT 7 SCALE:

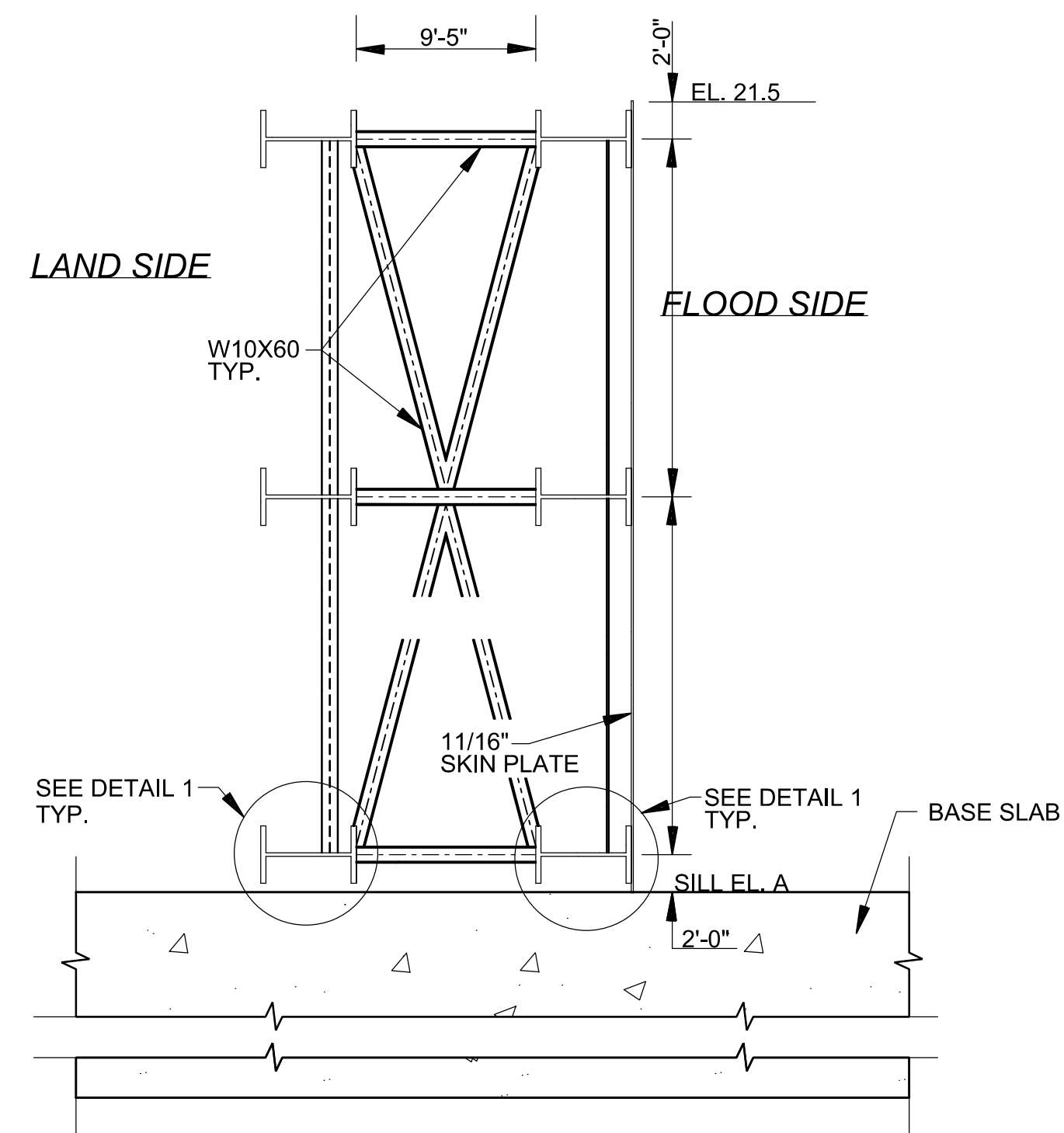
NOTE: PILES NOT SHOWN FOR CLARITY



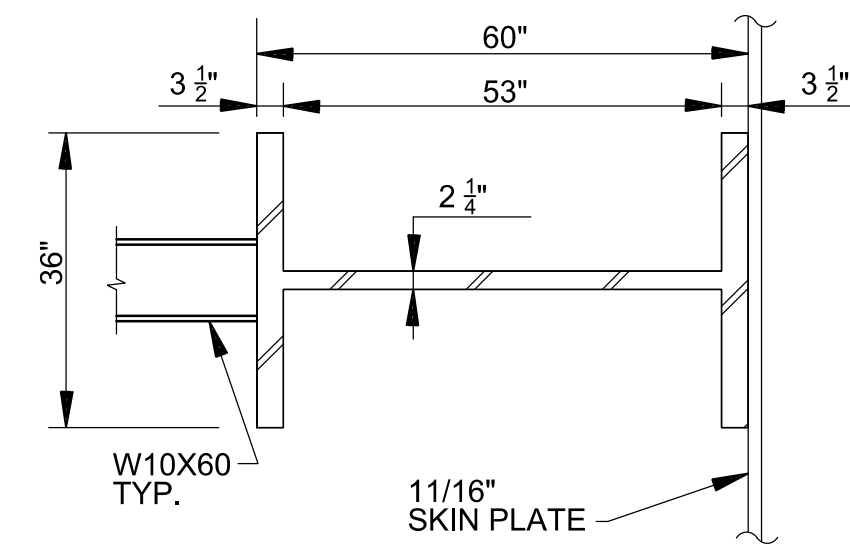
B GATE SECTION
SHT 7 SCALE:



C GATE SECTION
SHT 7 SCALE:



D GATE SECTION
SHT 7 SCALE:

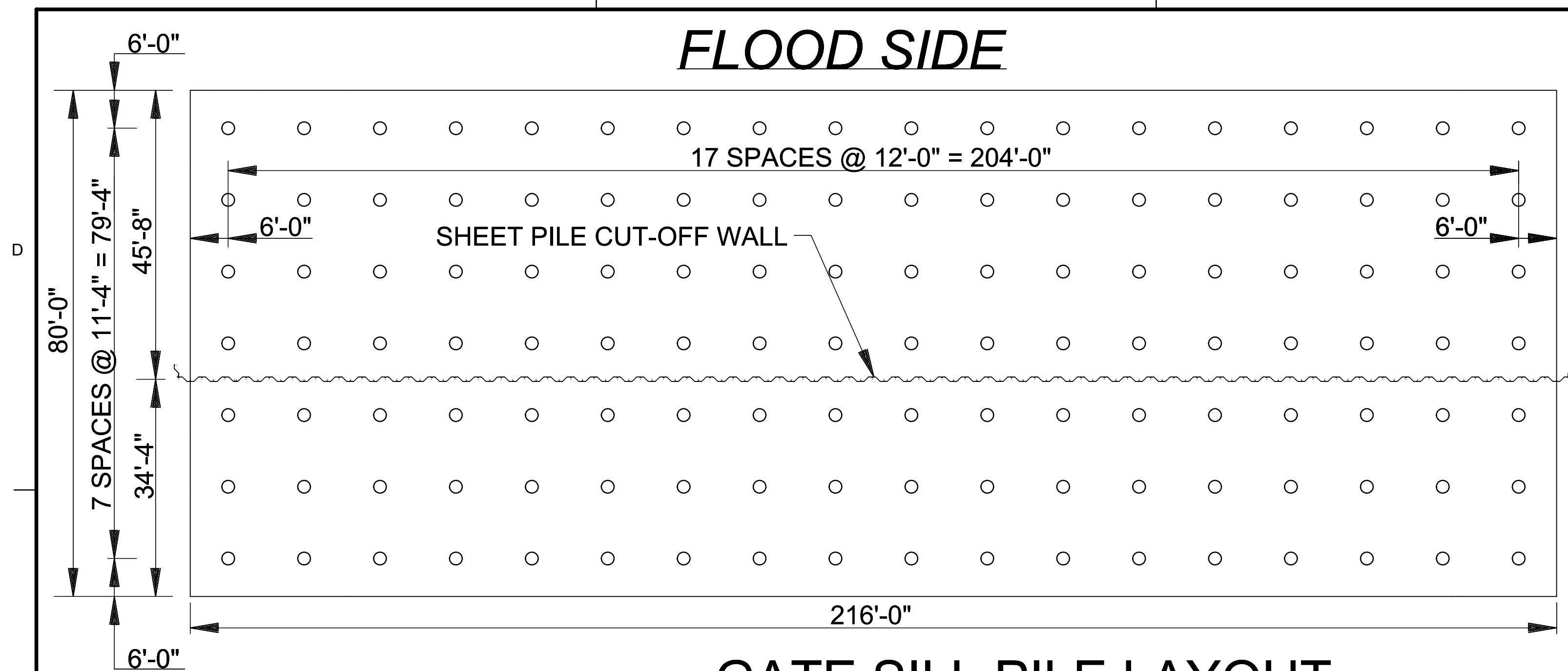


1 DETAIL
SCALE:

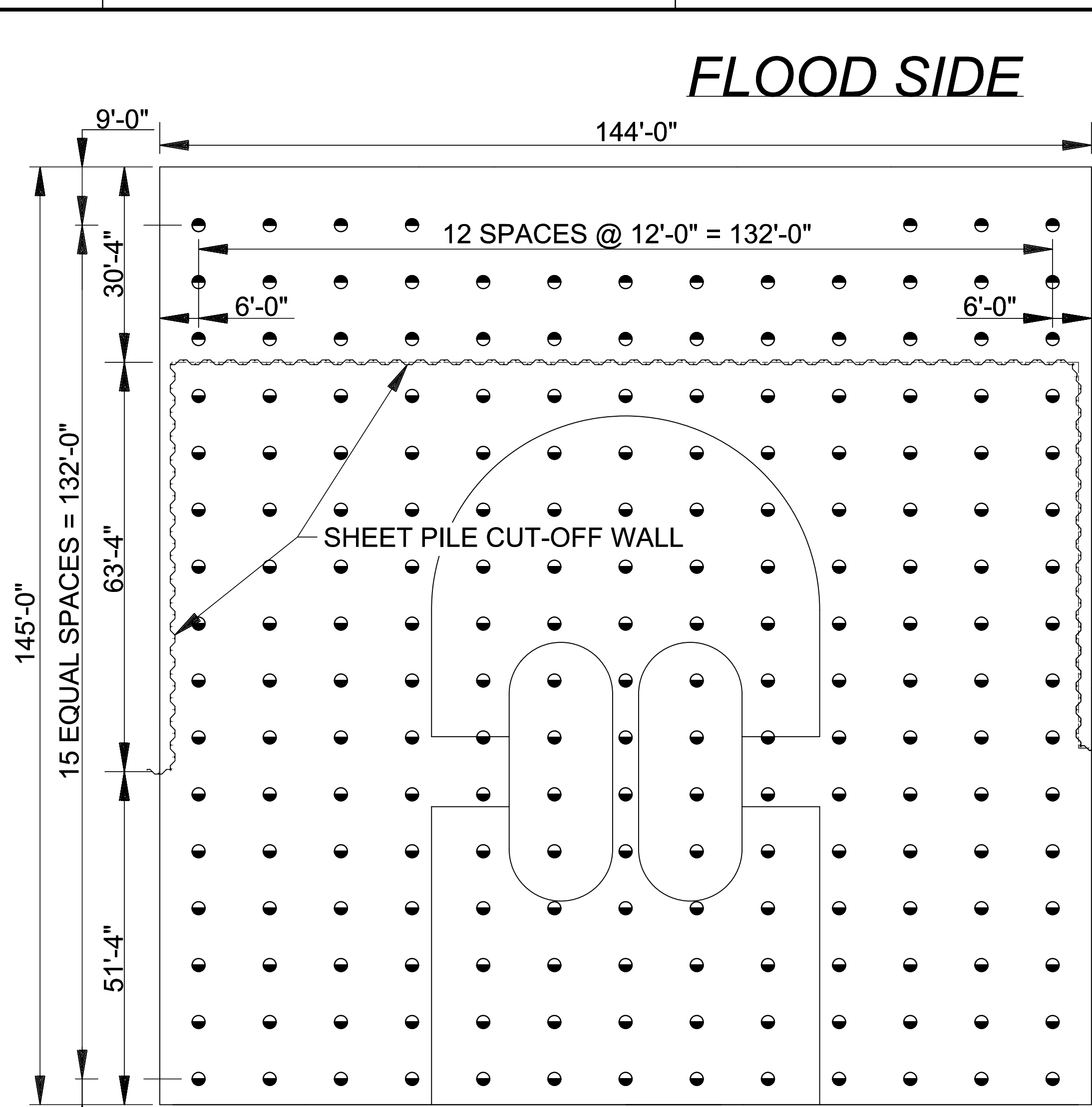
MARK	DESCRIPTION	DATE	APPR.	MARK

DESIGNED BY:	DATE: 2020	DESIGNED BY:	DATE: 2020
DWN BY:	W91298-001-X-###	DWN BY:	W91298-001-X-###
SUBMITTED BY:	CONTRACT NO.:	SUBMITTED BY:	CONTRACT NO.:
Charles P. Brantley IV, P.E.	W91298-001-X-###	Charles P. Brantley IV, P.E.	W91298-001-X-###
PLOT SCALE:	FILE NUMBER:	PLOT SCALE:	FILE NUMBER:
XXX-1	HA-XXXX	XXX-1	HA-XXXX
SIZE:	FILE NAME:	SIZE:	FILE NAME:
ANSI D		ANSI D	

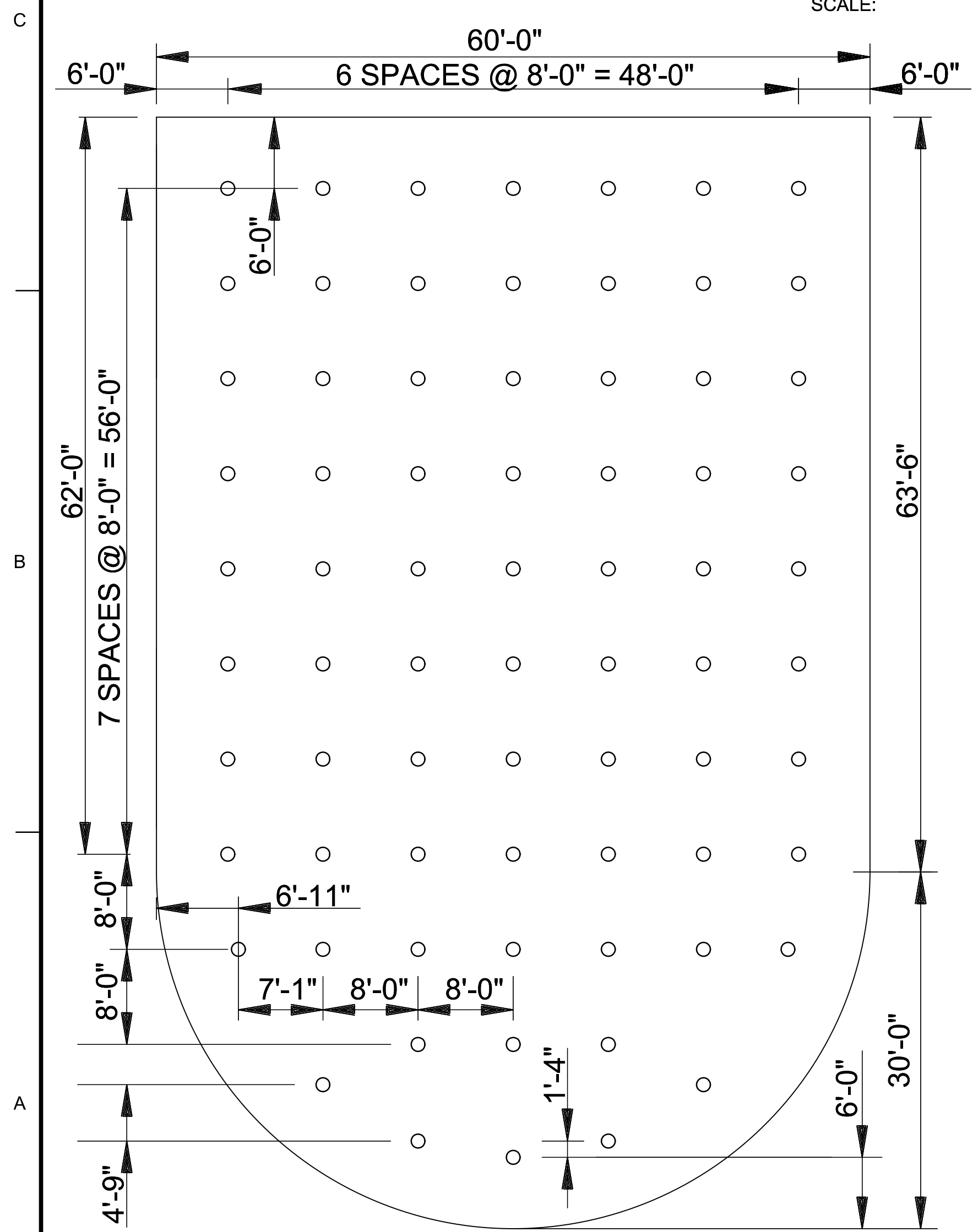
COASTAL TEXAS PROTECTION AND RESTORATION FEASIBILITY STUDY
DRAFT ENGINEERING APPENDIX
(NOT FOR CONSTRUCTION)



GATE SILL PILE LAYOUT
SCALE:

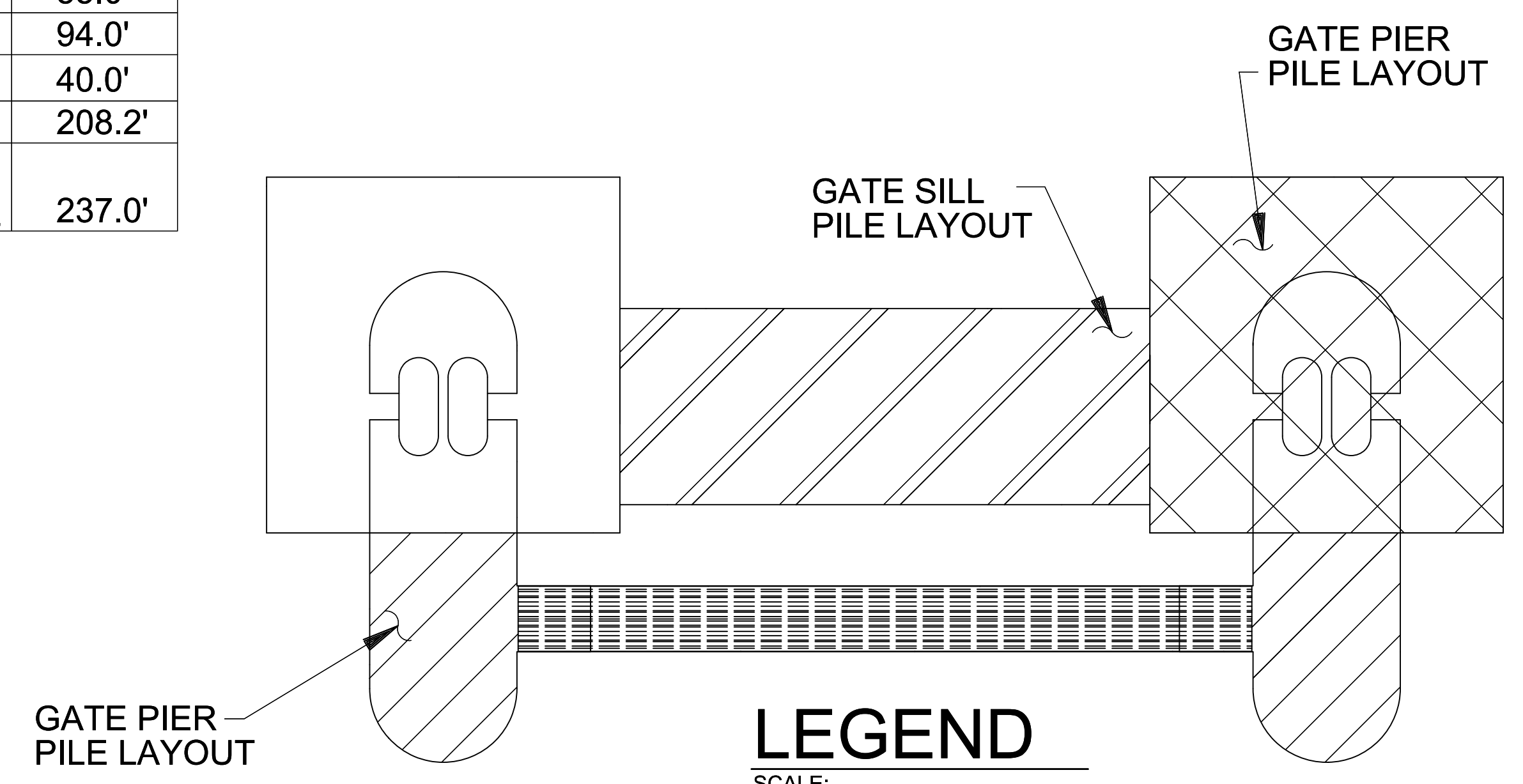


GATE PIER PILE LAYOUT
SCALE:



ACCESS BRIDGE PILE LAYOUT
SCALE:

VERTICAL LIFT GATE, SILL EL. -20.0					
STRUCTURE	PILE TYPE.	PILE TOP	PILE TIP	PILE BATTER	PILE LENGTH
GATE SILL PILE LAYOUT	PZ-22	EL. -24.0	EL. -79.0	VERTICAL	55.0'
	24" Ø PIPE	EL. -24.0	EL. -118.0	VERTICAL	94.0'
GATE PIER PILE LAYOUT	PZ-22	EL. -39.0	EL. -79.0	VERTICAL	40.0'
	24" Ø PIPE	EL. -38.0	EL. -240.0	1H:4V	208.2'
GATE PIER PILE LAYOUT	24" Ø PIPE	EL. -39.0	EL. -276.0	VERTICAL	237.0'



LEGEND
SCALE:



APPR.	DATE	DESCRIPTION

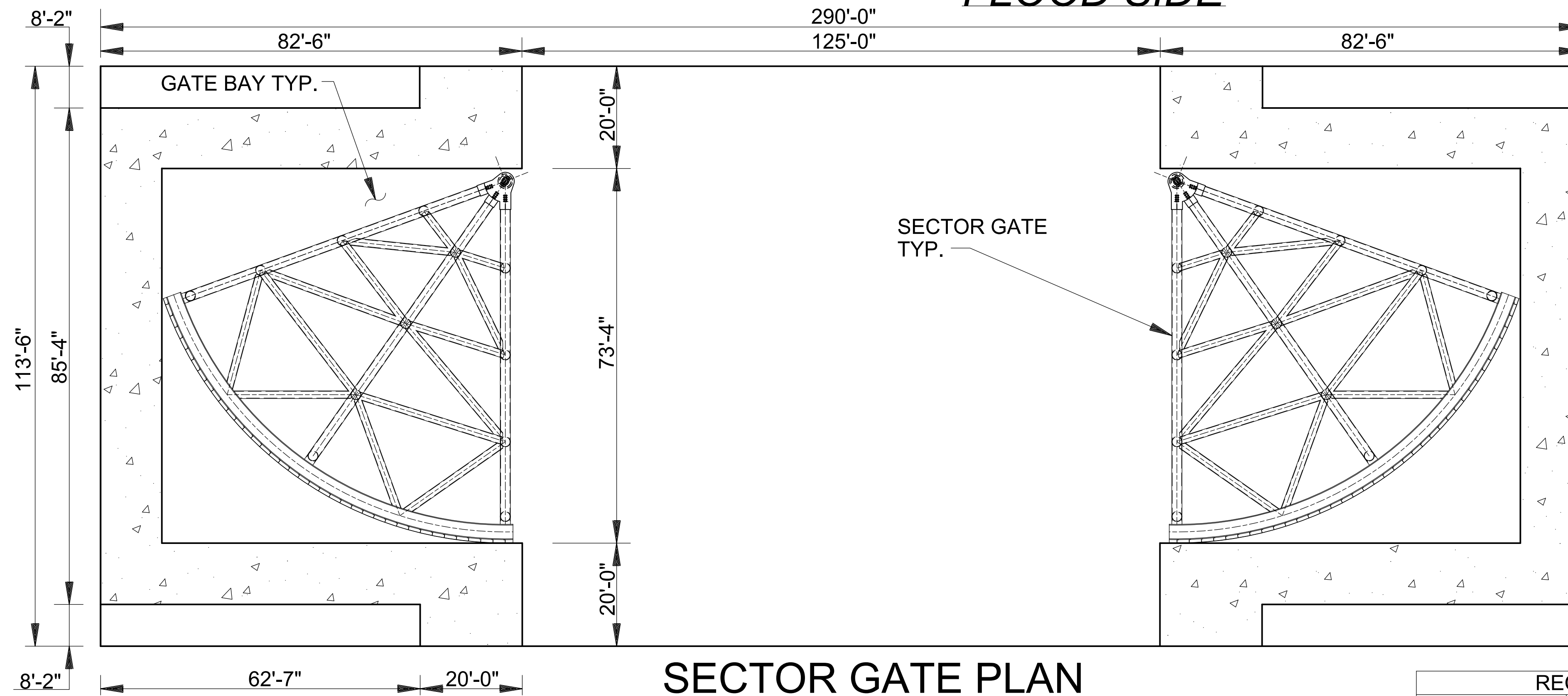
DESIGNED BY:	DATE: 2020	STATION NO.:	FILE NUMBER:
DWN BY: CPB		CONTRACT NO.:	
SUBMITTED BY: Charles P. Brantley IV, P.E.			
		PLOT SCALE: 1/8" = 1'-0"	

U.S. ARMY CORPS OF ENGINEERS
NEW ORLEANS DISTRICT
NEW ORLEANS, LOUISIANA

COASTAL TEXAS PROTECTION AND RESTORATION FEASIBILITY STUDY
DRAFT ENGINEERING APPENDIX
(NOT FOR CONSTRUCTION)

Sheet ID

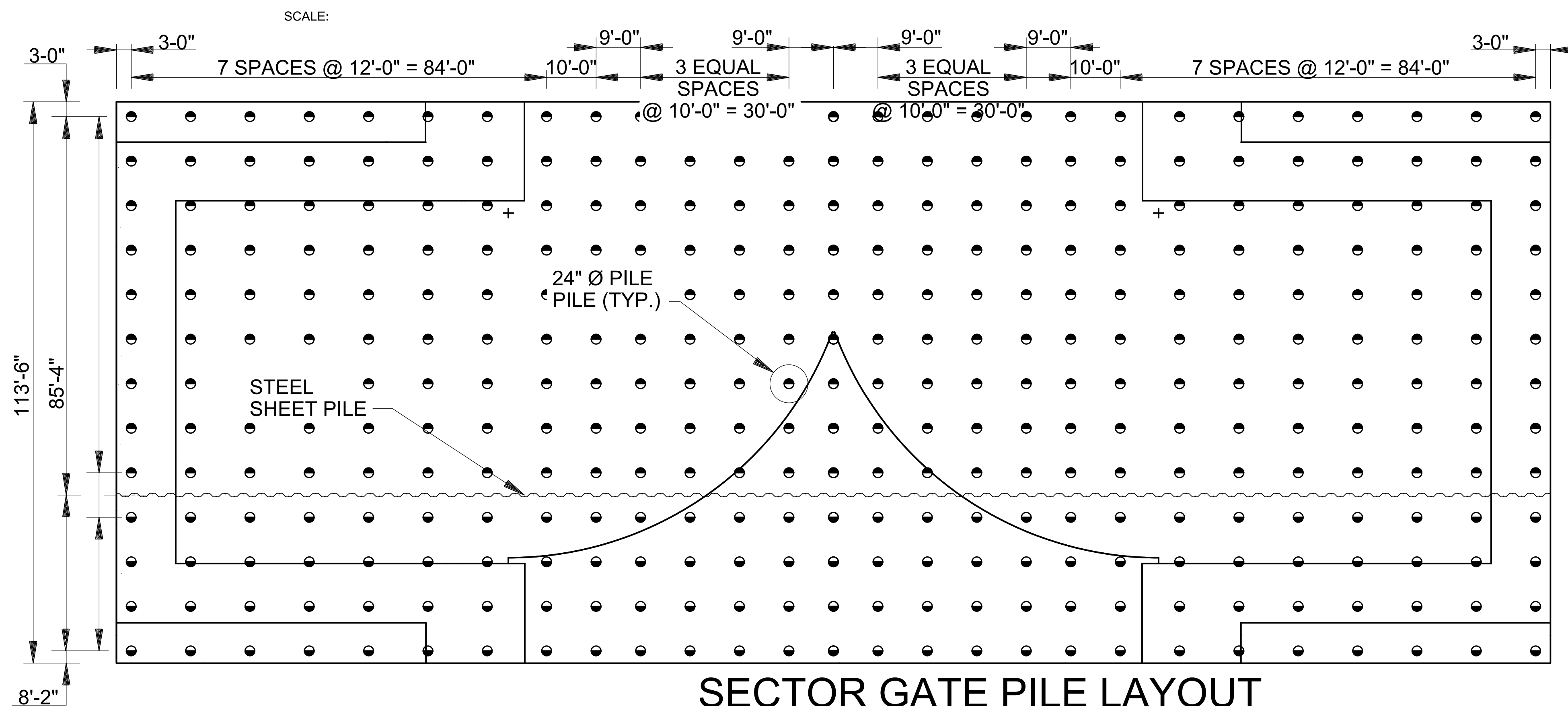
FLOOD SIDE



SECTOR GATE PLAN

SCALE:

RECREATIONAL SECTOR GATE, SILL EL. -40.0					
STRUCTURE	PILE TYPE.	PILE TOP	PILE TIP	PILE BATTER	PILE LENGTH
SILL EL. -40.0	PZ-22	EL. -47.0	EL. -79.0	VERTICAL	55.0'
	24" Ø PIPE	EL. -47.0	EL. -118.0	1H:3V	94.0'



SECTOR GATE PILE LAYOUT

SCALE:

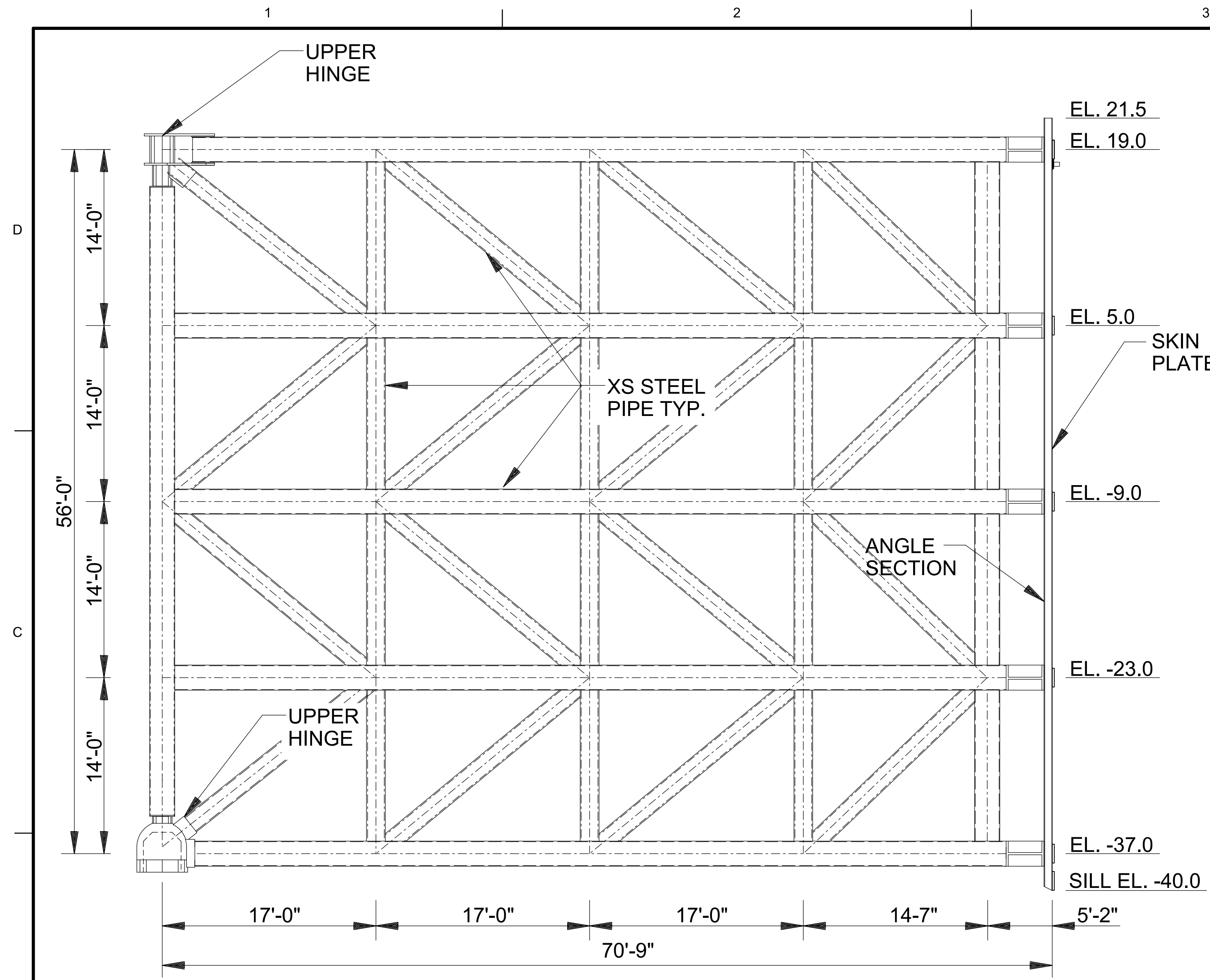
SCALE:



MARK	DESCRIPTION	DATE	APPR.

DATE: 2020	DESIGNED BY: CPB	STATION NO.: W91298-004-X-###	CONTRACT NO.: W91298-004-X-###
DWN BY: CPB	SUBMITTED BY: Charles P. Brantley IV, P.E.	PLOT DATE: MAR. 2020	FILE NUMBER: H-X-XXXX
U.S. ARMY CORPS OF ENGINEERS NEW ORLEANS DISTRICT NEW ORLEANS, LOUISIANA	DESIGNED BY: CPB	DATE: 2020	FILE NAME:

COASTAL TEXAS PROTECTION AND RESTORATION FEASIBILITY STUDY
DRAFT ENGINEERING APPENDIX
(NOT FOR CONSTRUCTION)



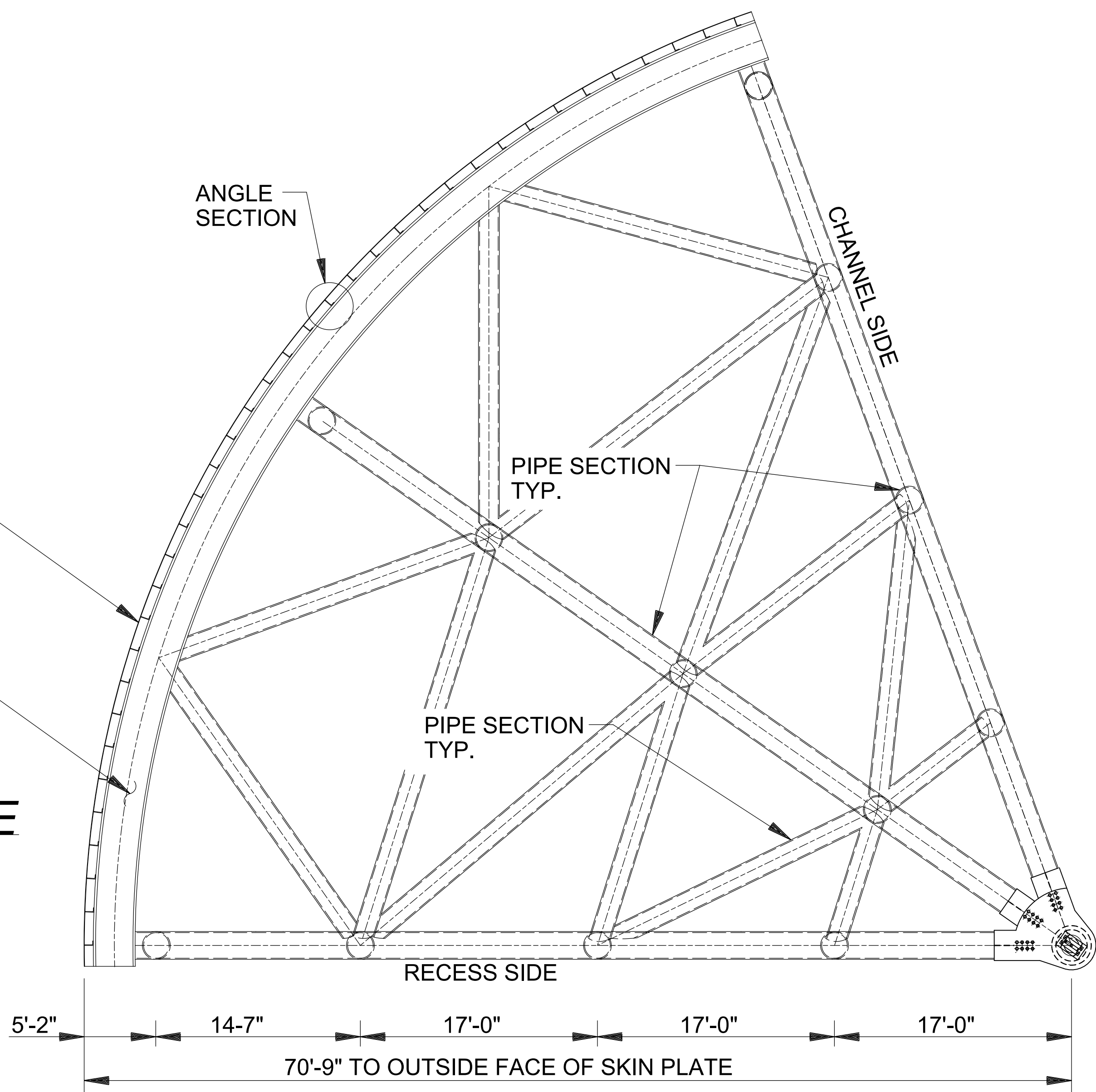
ELEVATION - CHANNEL TRUSS

SCALE:

NOTE: FENDER RACK NOT SHOWN FOR CLARITY

FLOOD SIDE

FLOOD SIDE



PLAN - LOWER HORIZONTAL FRAME

SCALE:

SCALE:



DATE	DESCRIPTION	APPR. MARK

DESIGNED BY: CPB	DATE: 2020	STATION NO.:
DWN BY:		CONTRACT NO.:
SUBMITTED BY:		

COASTAL TEXAS PROTECTION AND RESTORATION FEASIBILITY STUDY DRAFT ENGINEERING APPENDIX (NOT FOR CONSTRUCTION)

Sheet ID
S-10

1

2

3

4

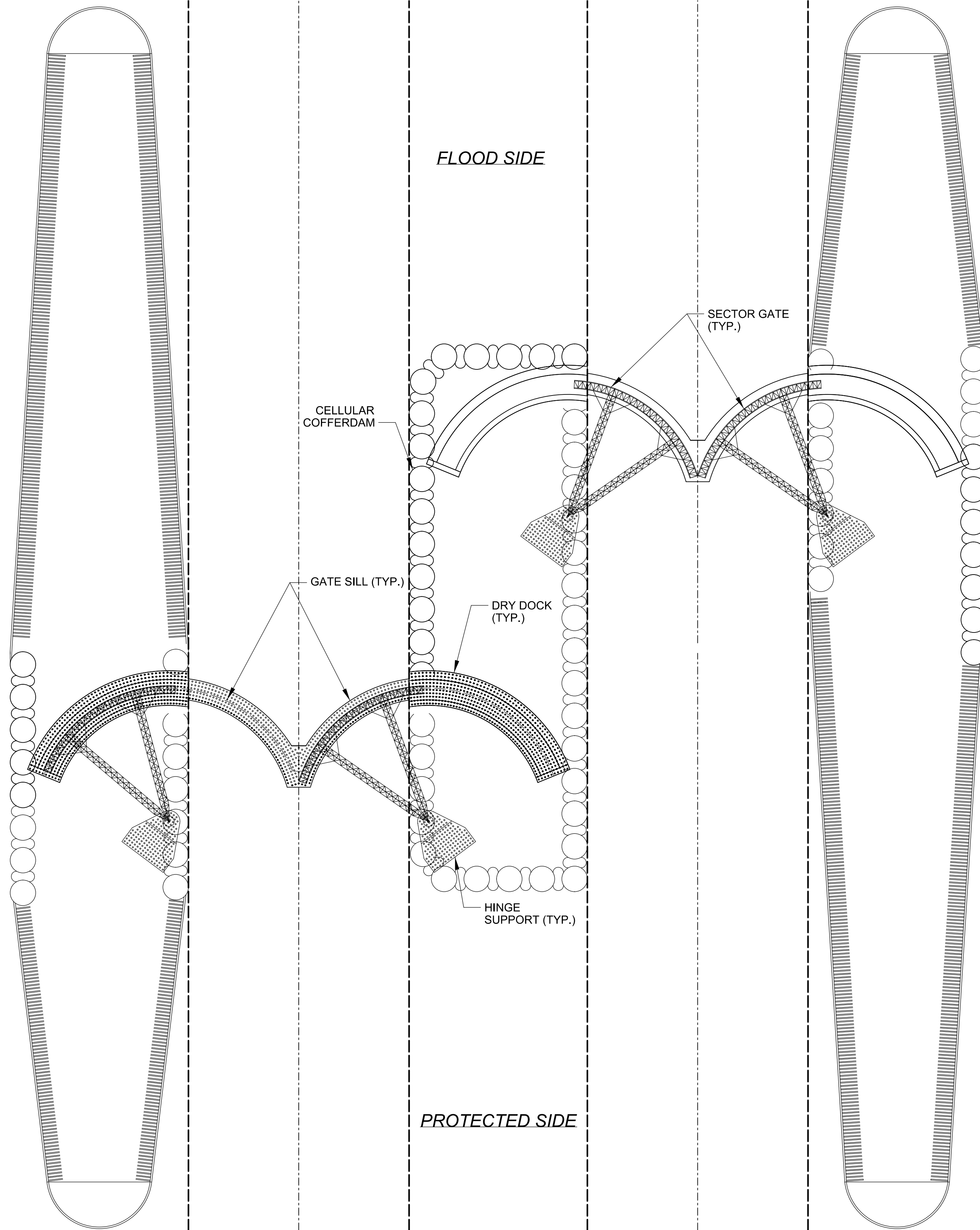
5

D

C

B

A



SITE PLAN
SCALE: 1" = 200'



MARK	DESCRIPTION	DATE	APPR. MARK	DATE	APPR.

DESIGNED BY: U.S. ARMY CORPS OF ENGINEERS NEW ORLEANS DISTRICT NEW ORLEANS, LOUISIANA	DWN BY: CPB	CUS BY: CPB	DATE: MAR 2020	DESIGNATION NO.:	CONTRACT NO.:	FILE NUMBER:
	SUBMITTED BY: Charles P. Brandstetter IV, P.E.	PLOT SCALE:	PLOT DATE: MAR 2020	V01278-#X-###	V01278-#X-###	H-X-XXXX
			SIZE: ANSI D			FILE NAME:

COASTAL TEXAS PROTECTION AND RESTORATION FEASIBILITY STUDY
DRAFT ENGINEERING APPENDIX
(NOT FOR CONSTRUCTION)

SITE PLAN

Sheet ID
S-11

1

2

3

4

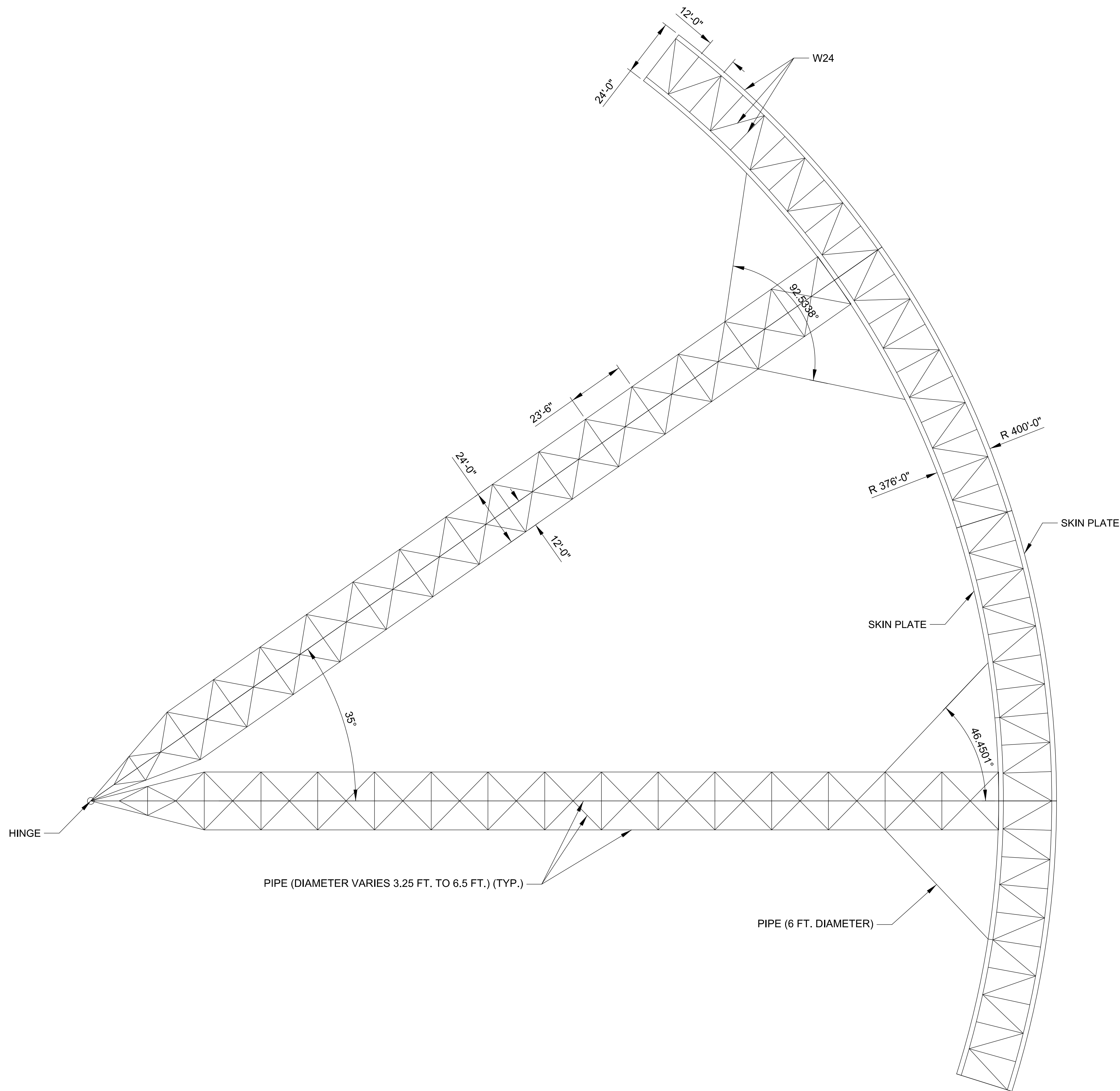
5

D

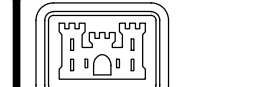
C

B

A



SECTOR GATE PLAN VIEW
SCALE: 1" = 25'



**US Army Corps
of Engineers®**
NEW ORLEANS DISTRICT

MARK	DESCRIPTION	DATE	APPR.

DESIGNED BY:	DATE:
DWN BY:	SOLICITATION NO.:
SUBMITTER:	CONTRACT NO.:
PROJECT:	W012P8-01-2-01#
FILE NUMBER:	FILE NAME:
ANSI D	ANSI D

U.S. ARMY CORPS OF ENGINEERS
NEW ORLEANS DISTRICT
NEW ORLEANS, LOUISIANA

COASTAL TEXAS PROTECTION AND
RESTORATION FEASIBILITY STUDY
DRAFT ENGINEERING APPENDIX
(NOT FOR CONSTRUCTION)
SECTOR GATE PLAN VIEW

Sheet
ID
S-13

1

2

3

4

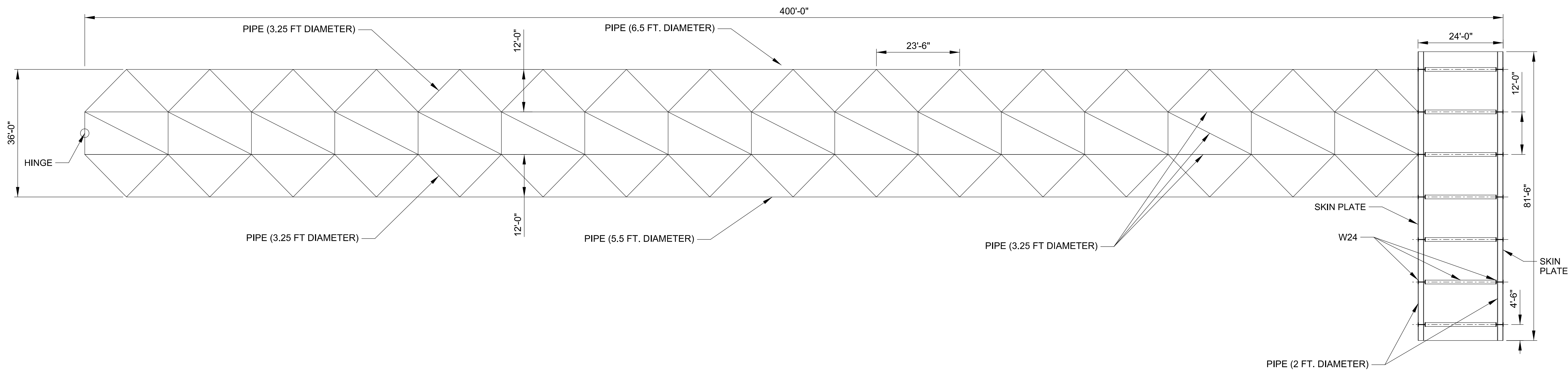
5

D

C

B

A



SECTOR GATE ELEVATION VIEW
SCALE: 1" = 15'



US Army Corps
of Engineers®
NEW ORLEANS DISTRICT

MARK	DESCRIPTION	DATE	APPR.	MARK	DATE	APPR.	DESCRIPTION

DESIGNED BY: U.S. ARMY CORPS OF ENGINEERS NEW ORLEANS DISTRICT NEW ORLEANS, LOUISIANA	DATE: 2020 SUBMITTAL NO.: W91298-09-A-0001	CONTRACT NO.: W91298-09-A-0001	FILE NUMBER: H-X-XXXX
DWN BY: CPS	DESIGNED BY: CPS	CONTRACT NO.:	FILE NUMBER:
SUBMITTED BY: Charles P. Brundage, P.E.	DATE: 2020	CONTRACT NO.:	FILE NUMBER:
PLOT SCALE: XXXX:1	DATE: 2020	CONTRACT NO.:	FILE NUMBER:
SIZE: ANS I D	FILE NAME:	CONTRACT NO.:	FILE NUMBER:

COASTAL TEXAS PROTECTION AND
RESTORATION FEASIBILITY STUDY
DRAFT ENGINEERING APPENDIX
(NOT FOR CONSTRUCTION)
SECTOR GATE ELEVATION VIEW

Sheet
ID
S-14

1

2

3

4

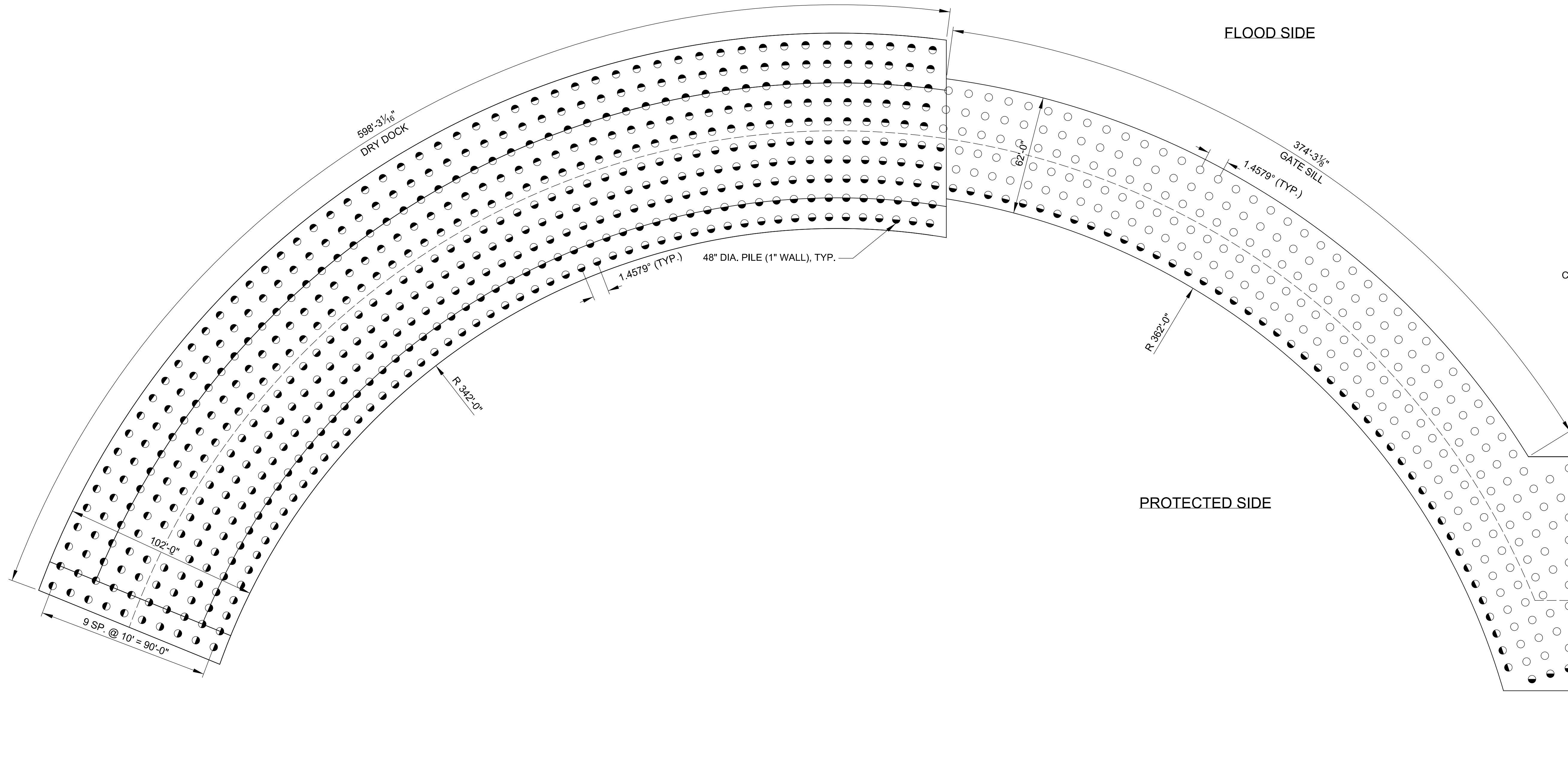
5

D

C

B

A



DRY DOCK AND GATE SILL PILE FOUNDATION

SCALE: 1" = 30'



US Army Corps
of Engineers
NEW ORLEANS DISTRICT

MARK	DESCRIPTION	DATE	APPR. MARK	DESCRIPTION	DATE	APPR. MARK

DESIGNED BY:	DATE: 2020	DESIGNED BY:	DATE: 2020
DWN BY:	CPB	DESIGNED BY:	DATE: 2020
SUBMITTED BY:	Charles P. Brantley IV, P.E.	DESIGNED BY:	DATE: 2020
PLOT SCALE:	1" = 30'	DESIGNED BY:	DATE: 2020
FILE NAME:	H-X-XXXX	DESIGNED BY:	DATE: 2020

COASTAL TEXAS PROTECTION AND
RESTORATION FEASIBILITY STUDY
DRAFT ENGINEERING APPENDIX
(NOT FOR CONSTRUCTION)

DRY DOCK AND GATE SILL PILE FOUNDATION

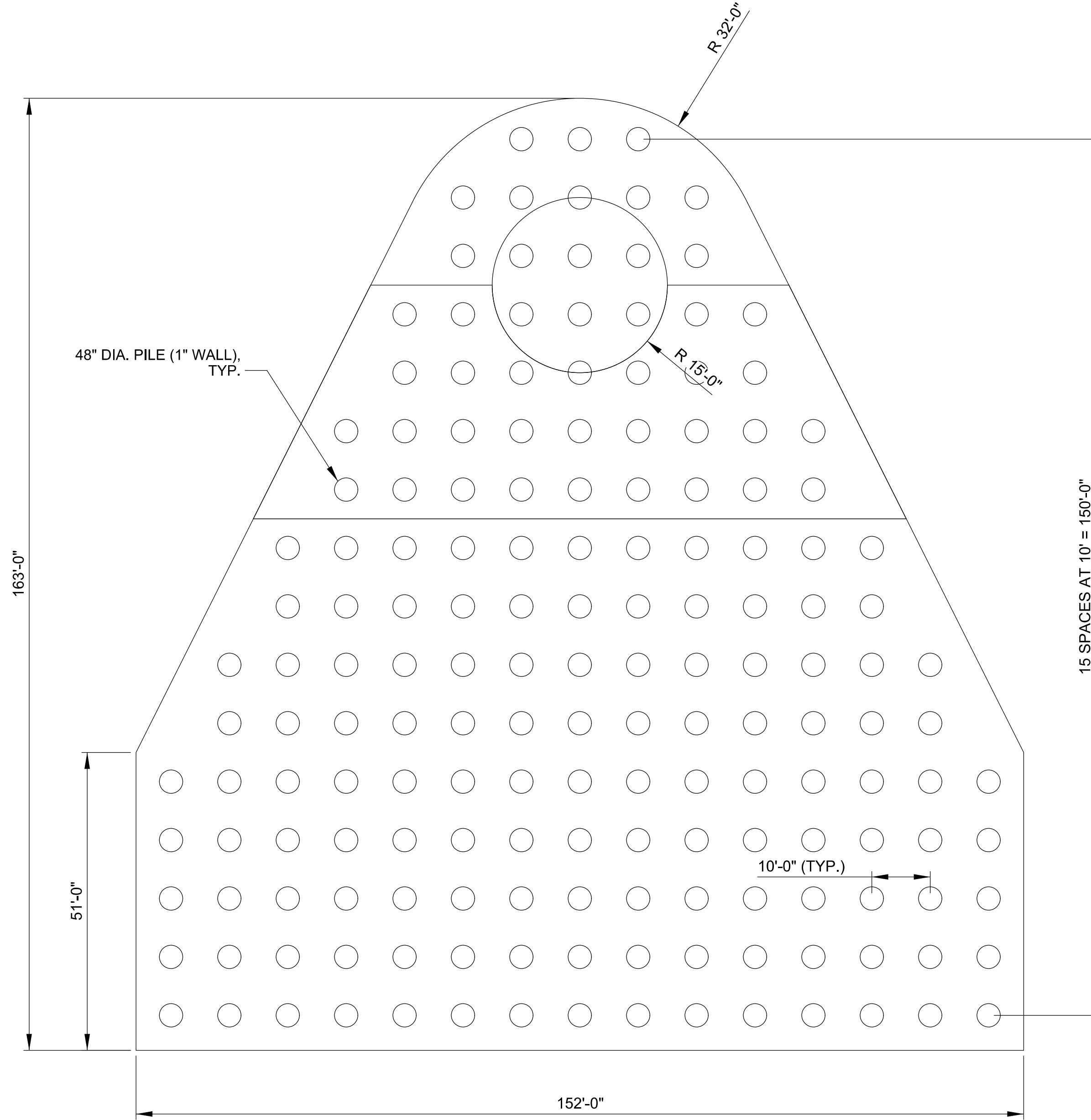
Sheet
ID

D

C

B

A



HINGE SUPPORT PILE FOUNDATION

SCALE: 1" = 15'



**US Army Corps
of Engineers®**
NEW ORLEANS DISTRICT

MARK	DESCRIPTION	DATE	APPR. MARK	DESCRIPTION	DATE	APPR. MARK

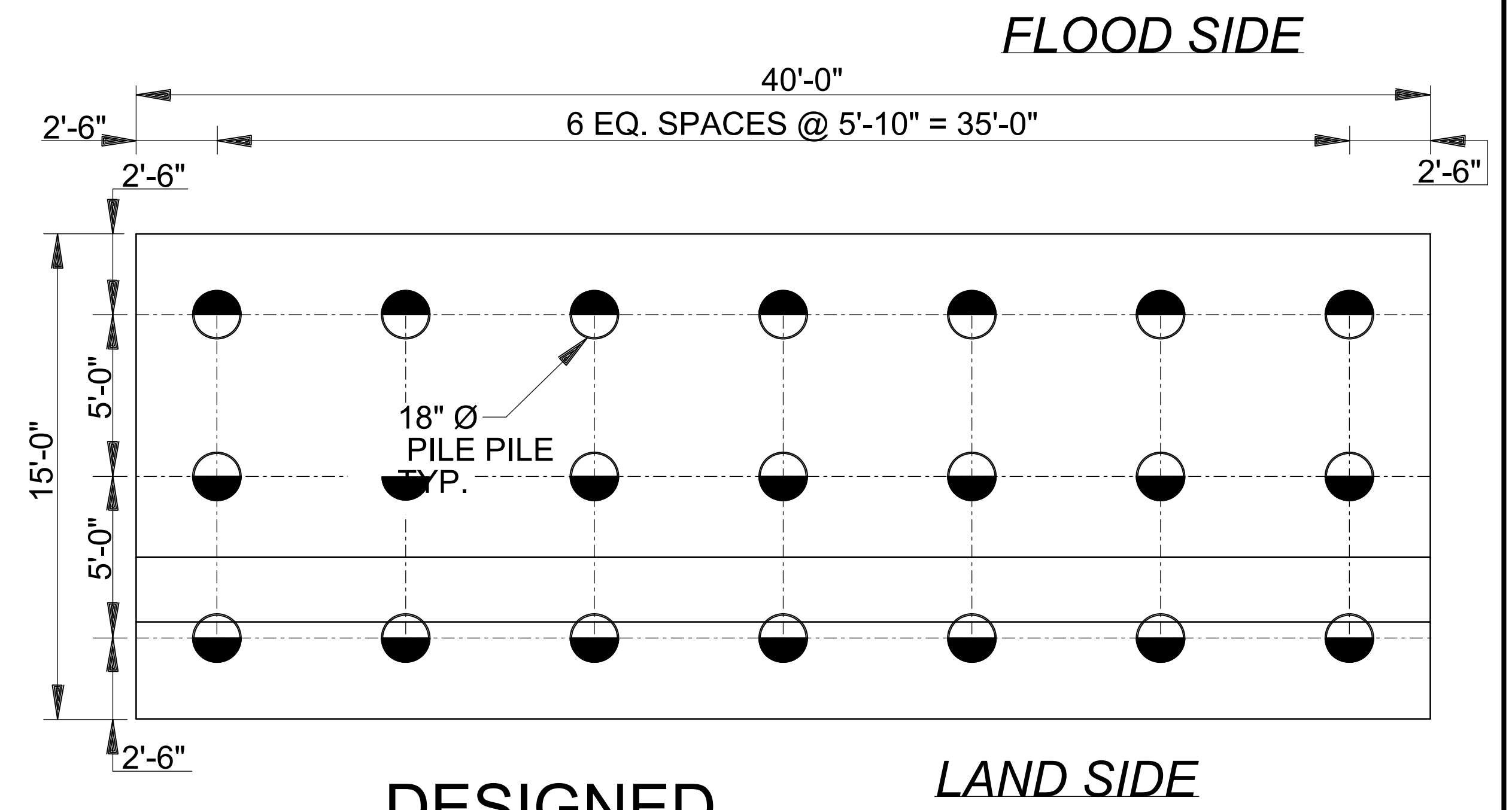
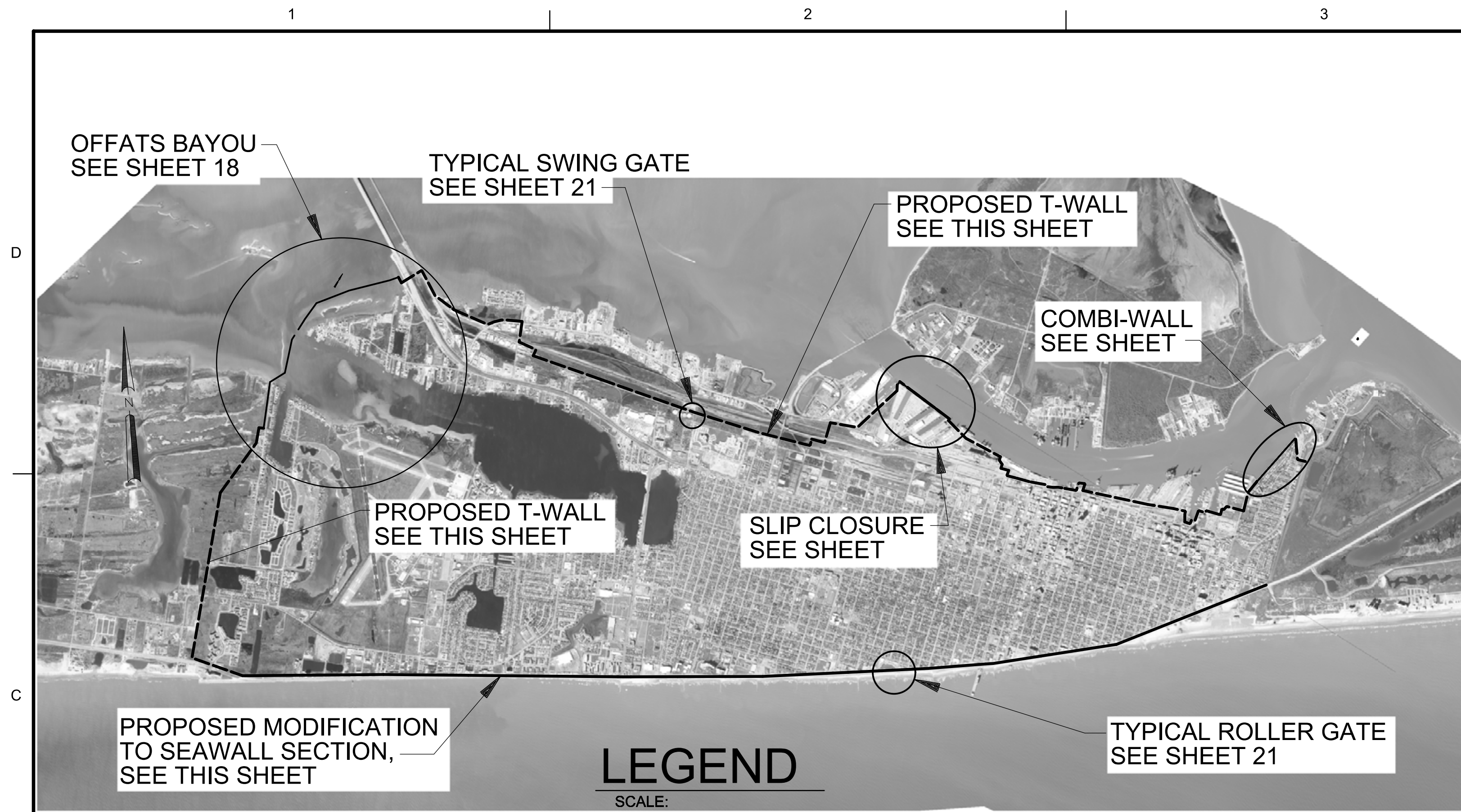
DESIGNED BY:	DATE: 2020	SUBMITTAL NO.:
DWN BY: CFB	W912PE-04-X-###	CONTRACT NO.:
SUBMITTED BY: Charles P. Brummetter IV, P.E.	W912PE-04-X-###	FILE NUMBER:
DESIGNED BY: CFB	W912PE-04-X-###	FILE NAME:
DATE: 2020	W912PE-04-X-###	FILE NAME:
CONTRACT NO.:	FILE NUMBER:	ANSI D
FILE NUMBER:	FILE NAME:	

U.S. ARMY CORPS OF ENGINEERS
NEW ORLEANS DISTRICT
NEW ORLEANS, LOUISIANA

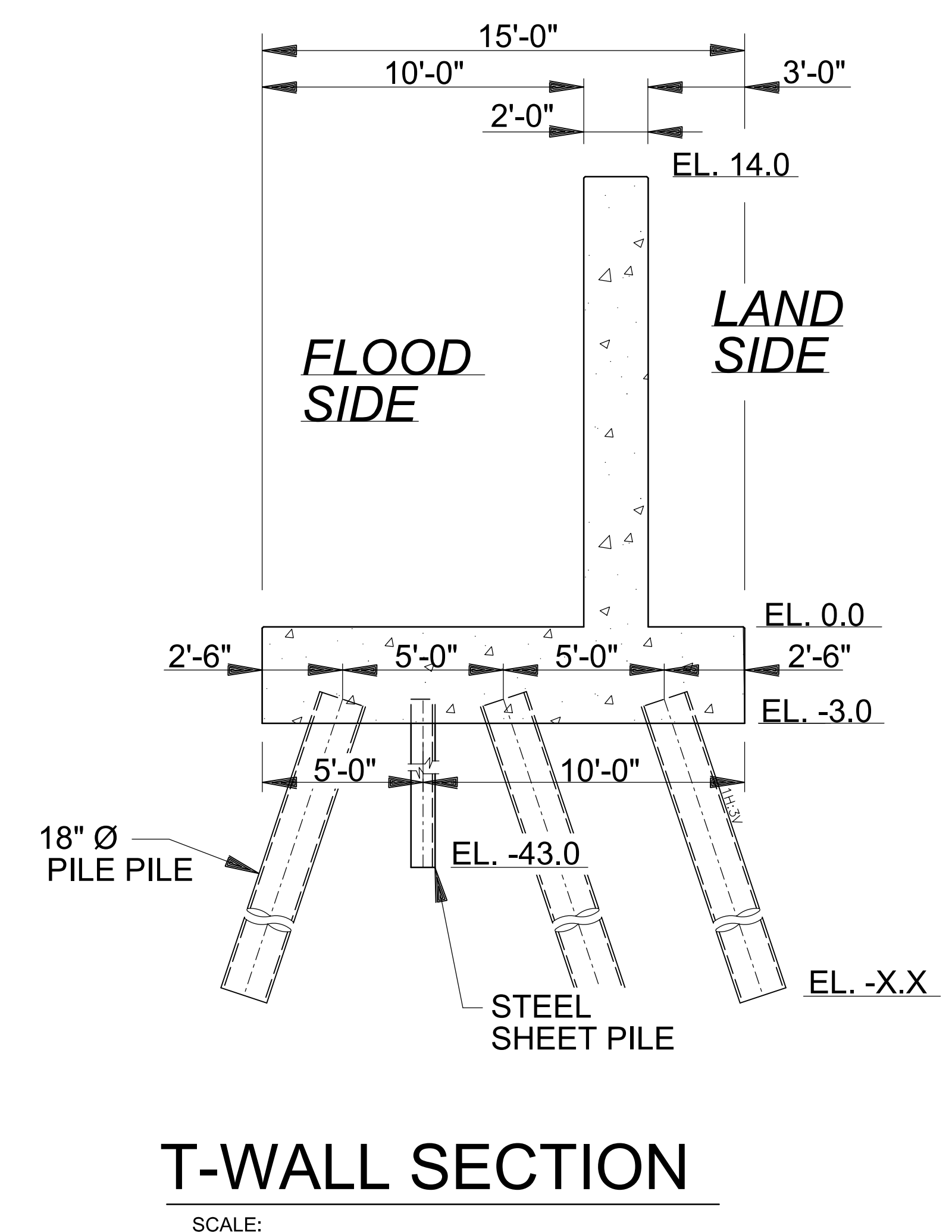
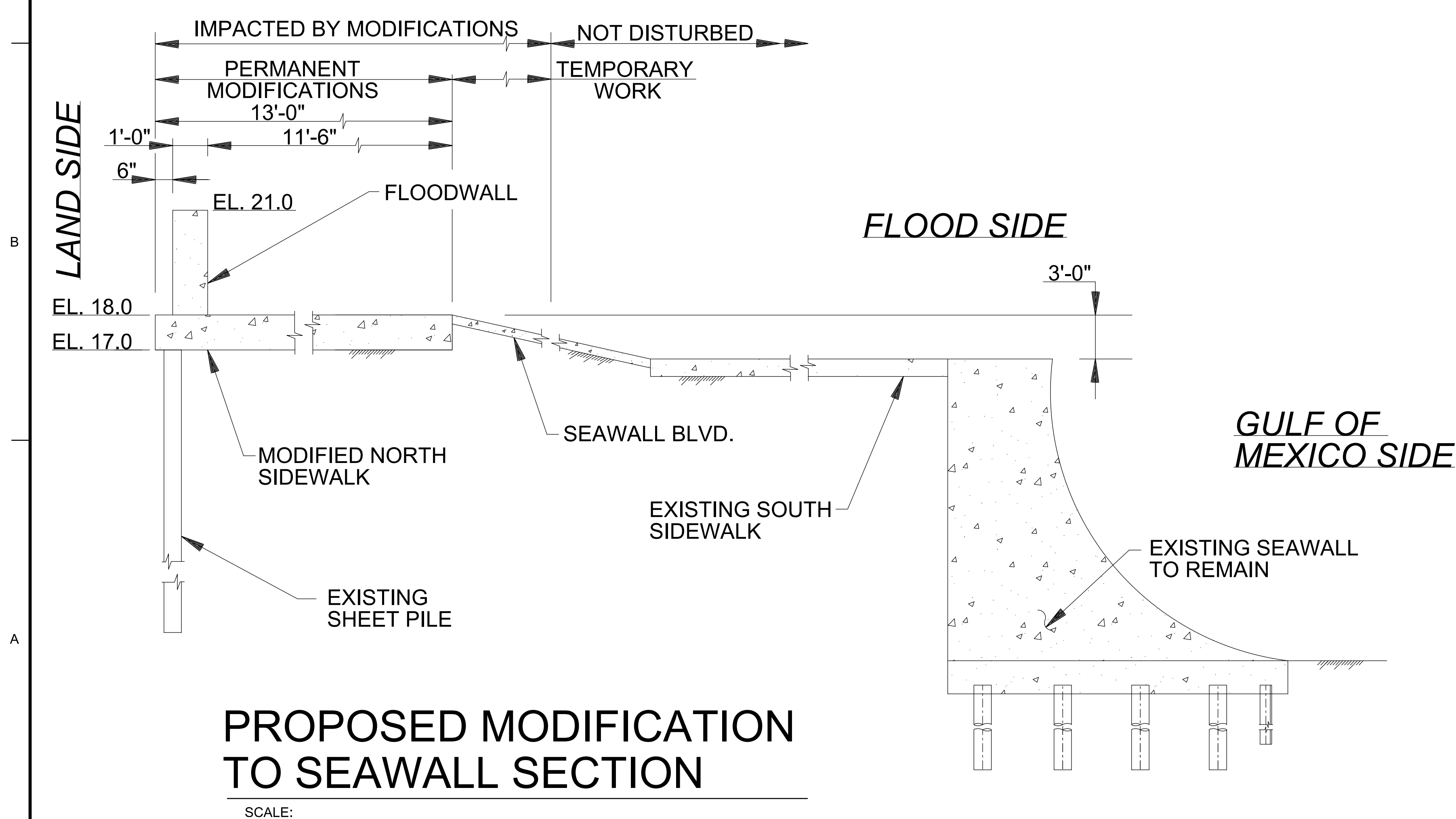
COASTAL TEXAS PROTECTION AND RESTORATION FEASIBILITY STUDY
DRAFT ENGINEERING APPENDIX
(NOT FOR CONSTRUCTION)

HINGE SUPPORT PILE FOUNDATION

Sheet ID
s-16



DESIGNED T-WALL MONOLITH
SCALE:



MARK	DESCRIPTION	DATE	APPR.	MARK	DATE	DESCRIPTION

DATE: 2020	DESIGNED BY: CFB	CONTRACT NO.: W91298-04-A-0001	FILE NUMBER: H-A-XXXX
DESIGNED BY: CFB	DATE: MAR. 2020	FILE NAME:	ANSI D
U.S. ARMY CORPS OF ENGINEERS NEW ORLEANS DISTRICT NEW ORLEANS, LOUISIANA	DWN BY: CFB	CHARLES P. BRIDGES, P.E.	FILE NUMBER: H-A-XXXX

COASTAL TEXAS PROTECTION AND RESTORATION FEASIBILITY STUDY DRAFT ENGINEERING APPENDIX (NOT FOR CONSTRUCTION)

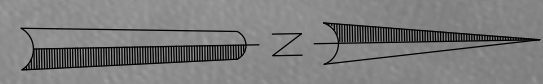
Sheet ID

FLOOD SIDE

OFFATS BAYOU SECTOR GATE (125' OPENING)

COMBI-WALL

COMBI-WALL



SHALLOW WATER ENVIRONMENTAL GATES

SHALLOW WATER ENVIRONMENTAL GATES

RECREATION SECTOR GATE (125' OPENING)

LAND SIDE

PUMP STATION, SEE APPENDIX

OFFATS BAYOU SITE PLAN

SCALE: 1" = 200'



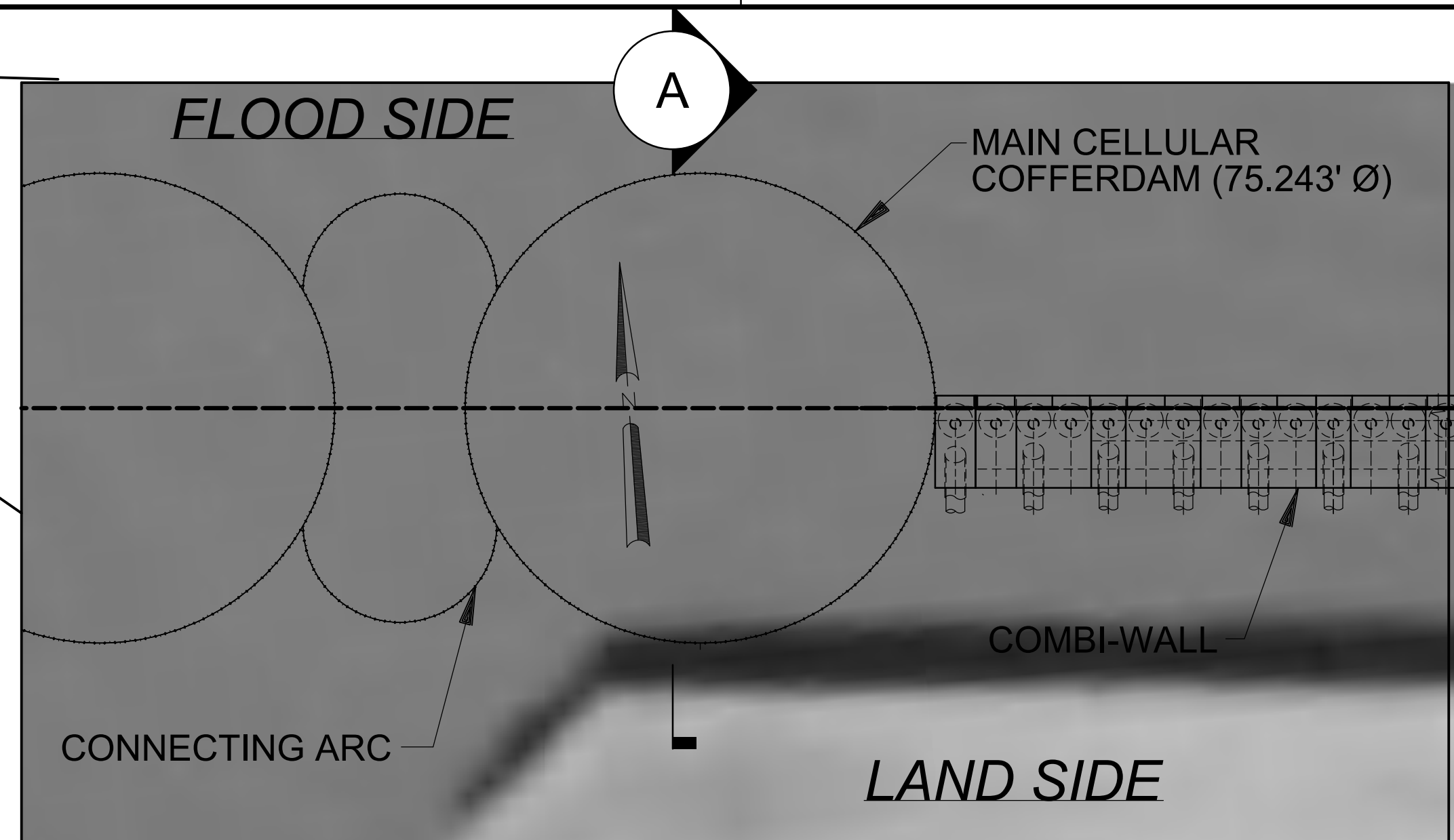
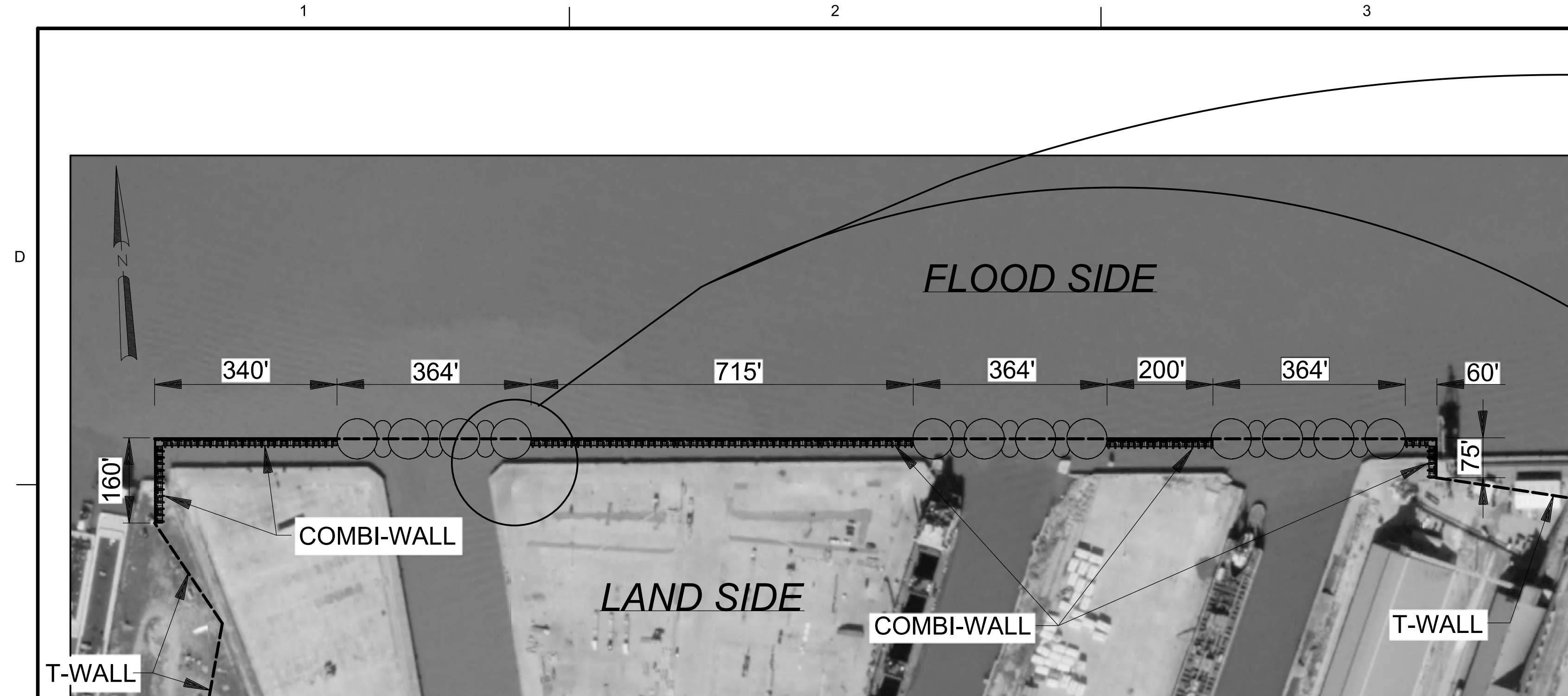
MARK	DESCRIPTION	DATE	APPR. MARK	DATE	DESCRIPTION

U.S. ARMY CORPS OF ENGINEERS NEW ORLEANS DISTRICT NEW ORLEANS, LOUISIANA	DESIGNED BY: DWN BY: SUBMITTED BY: PLOT SCALE: PLOT DATE: DATE: 2020	CONTRACT NO.: FILE NUMBER: CONTRACT NO.: FILE NUMBER: CONTRACT NO.: FILE NUMBER:
--	--	---

COASTAL TEXAS PROTECTION AND RESTORATION FEASIBILITY STUDY
DRAFT ENGINEERING APPENDIX
(NOT FOR CONSTRUCTION)

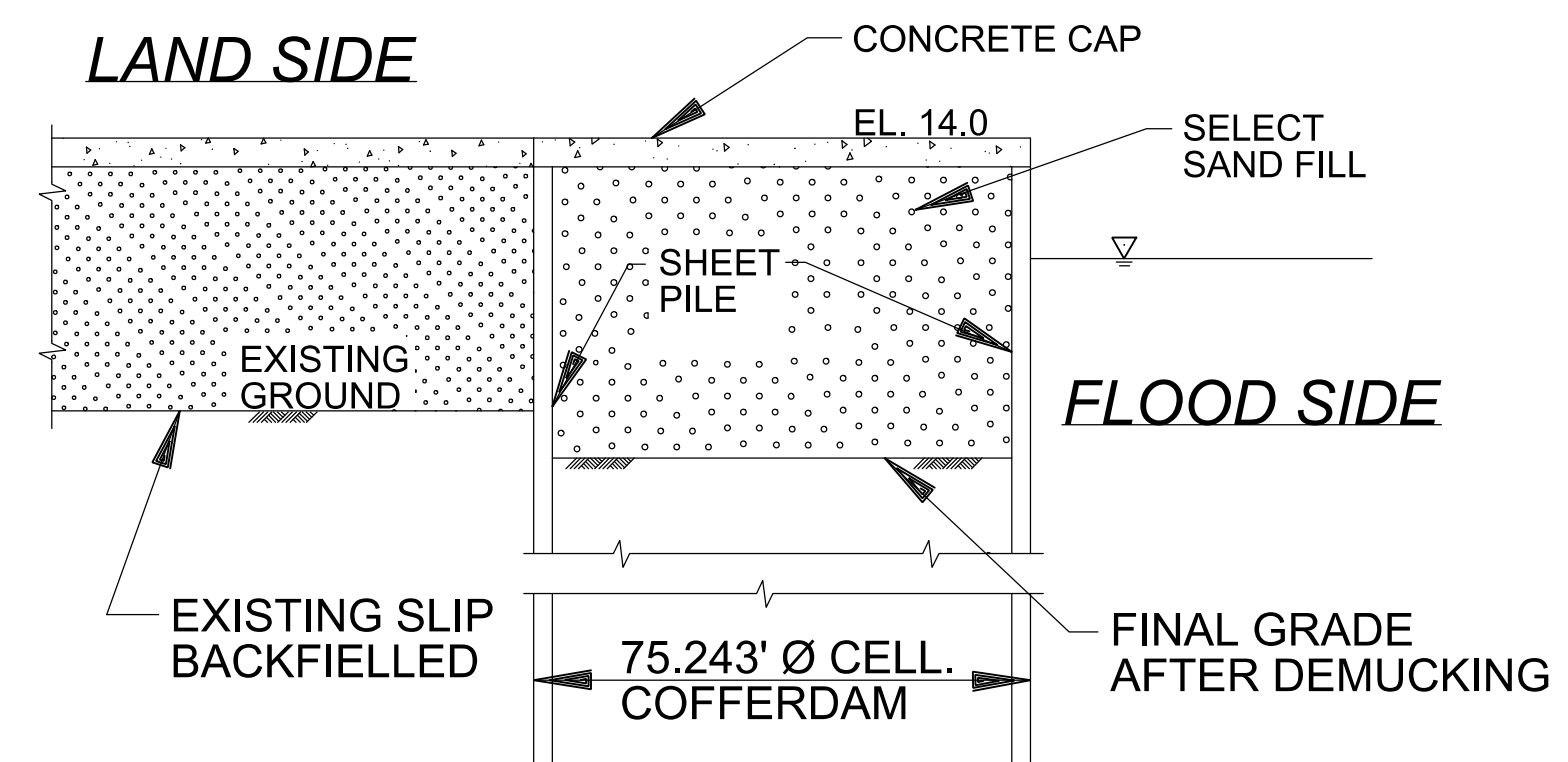
SITE PLAN

Sheet ID
S-18



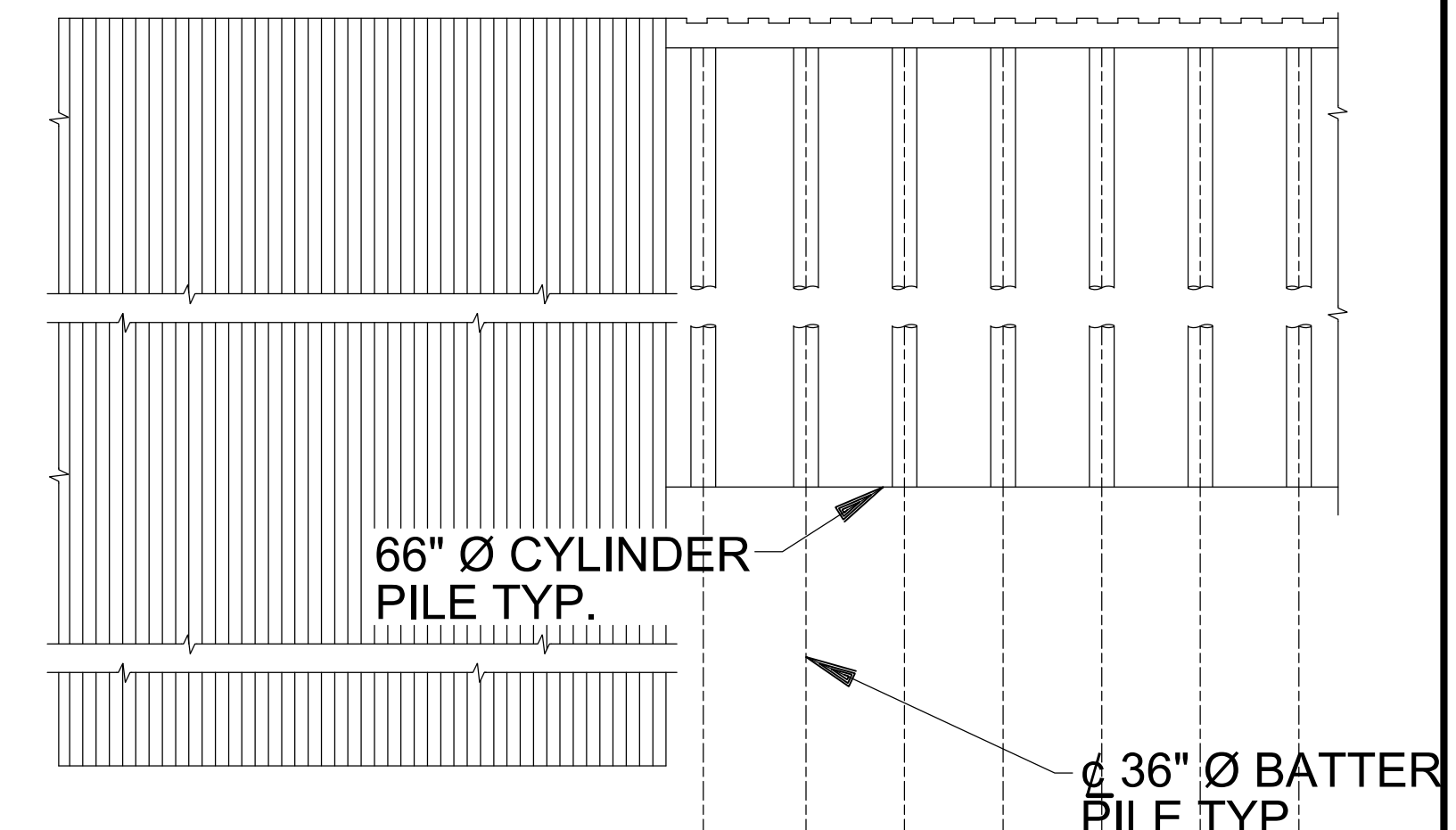
SLIP CLOSURES

SCALE:



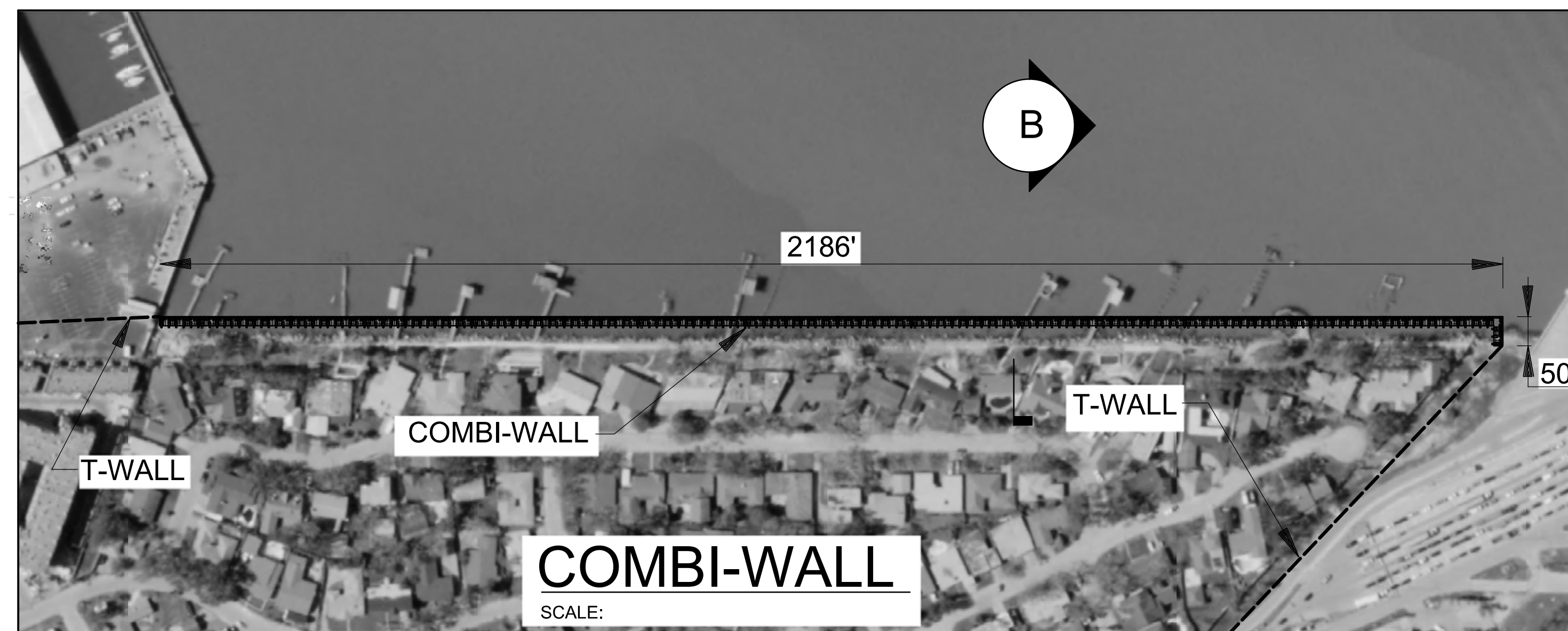
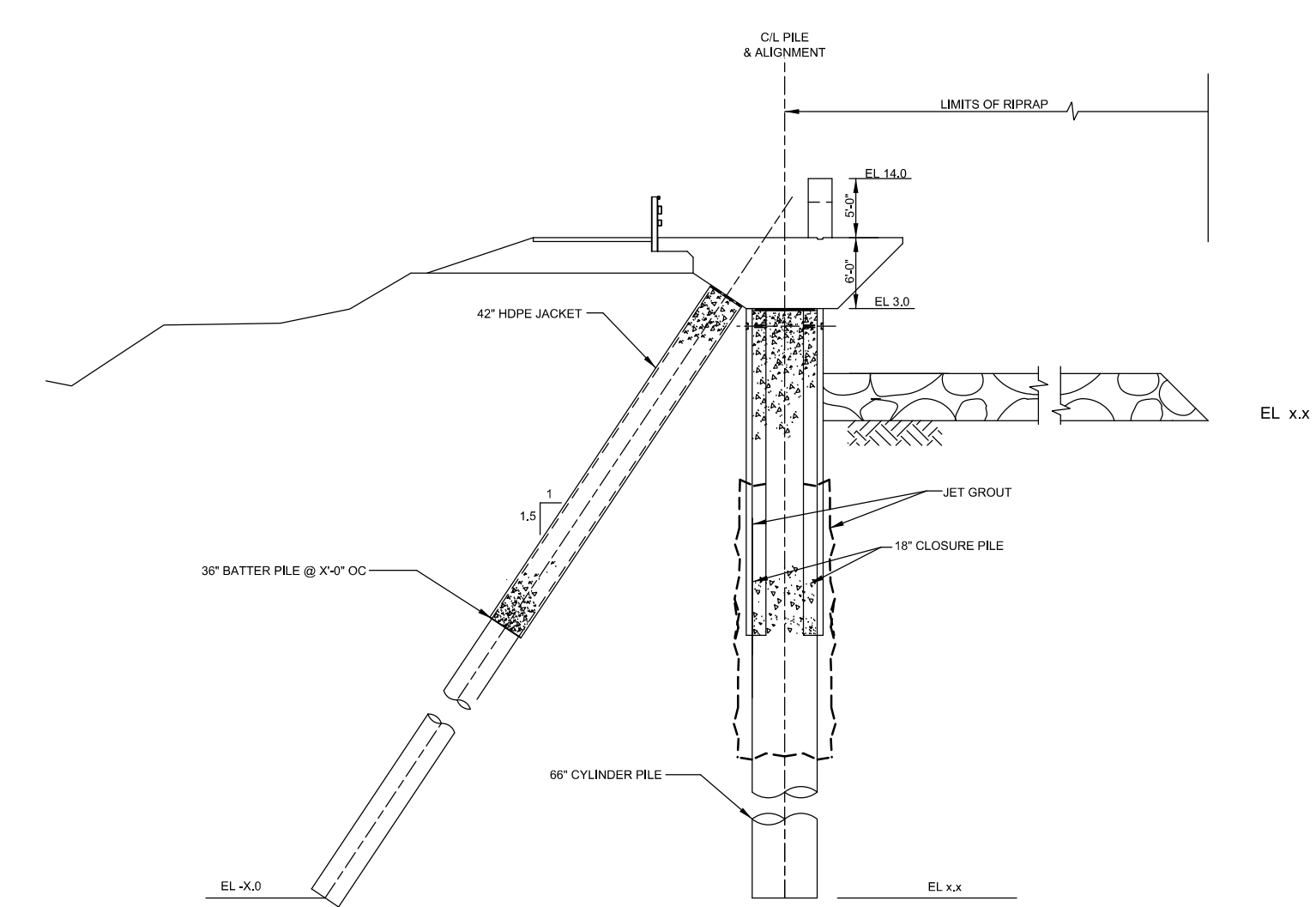
A SECTION

SCALE:



ELEVATION

SCALE:



COMBI-WALL

SCALE:

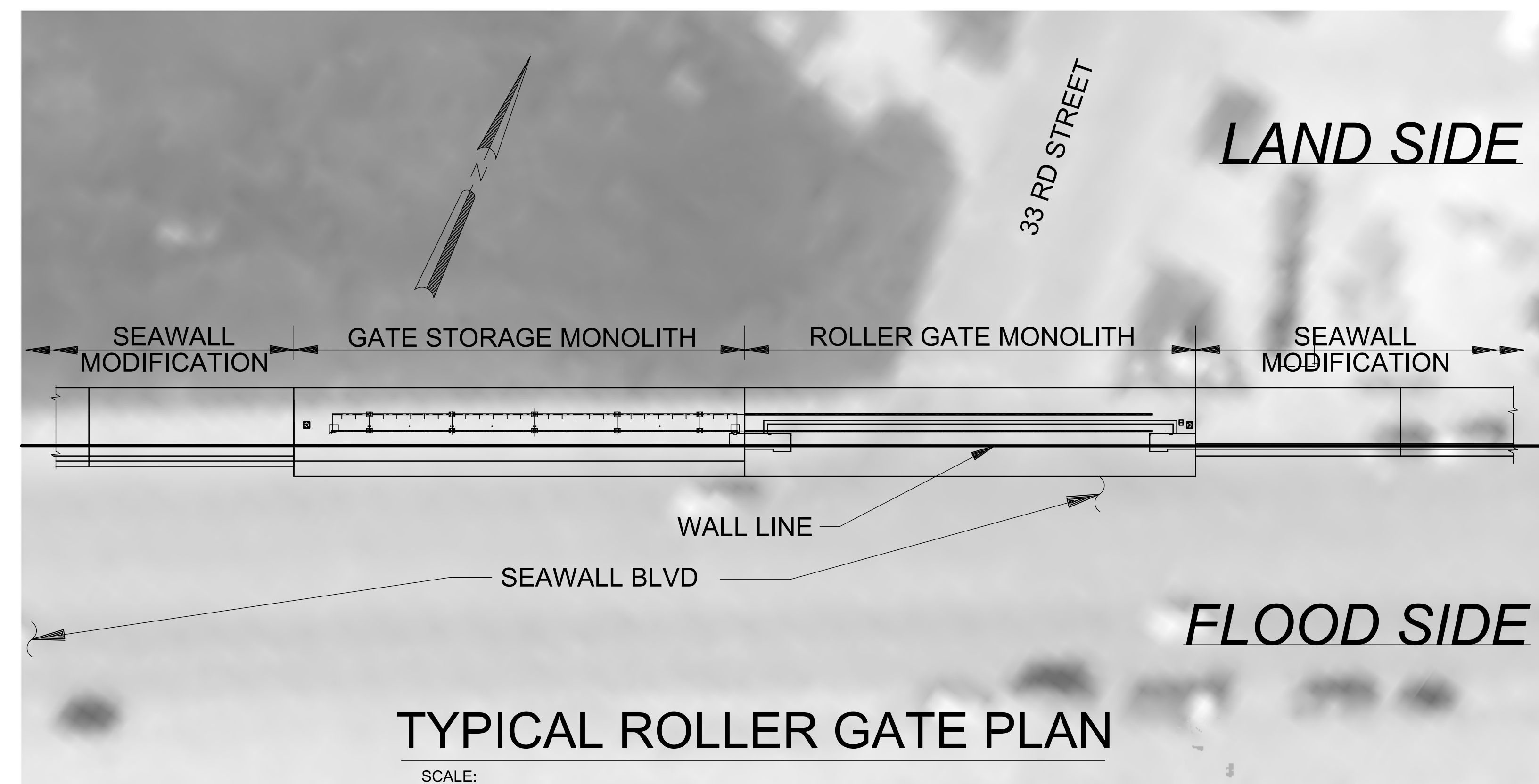
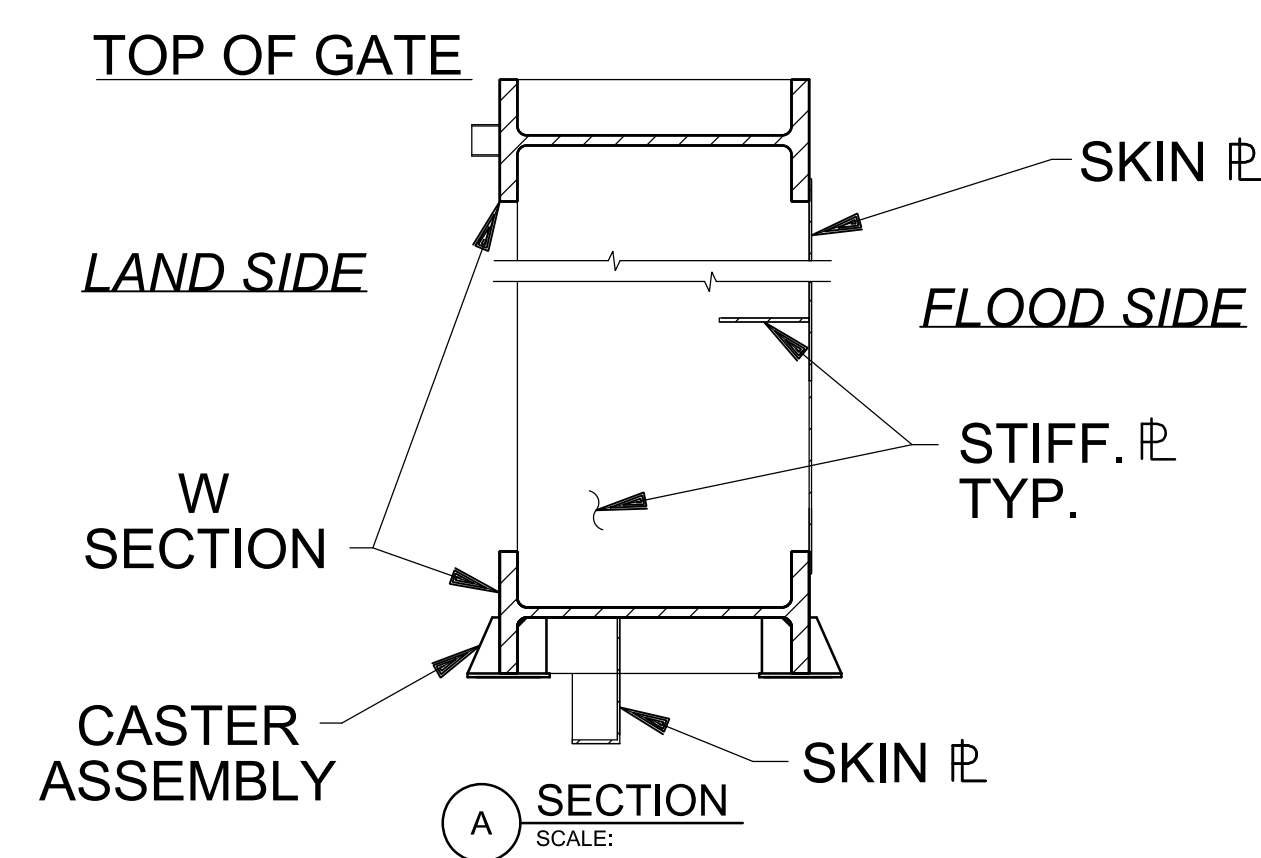
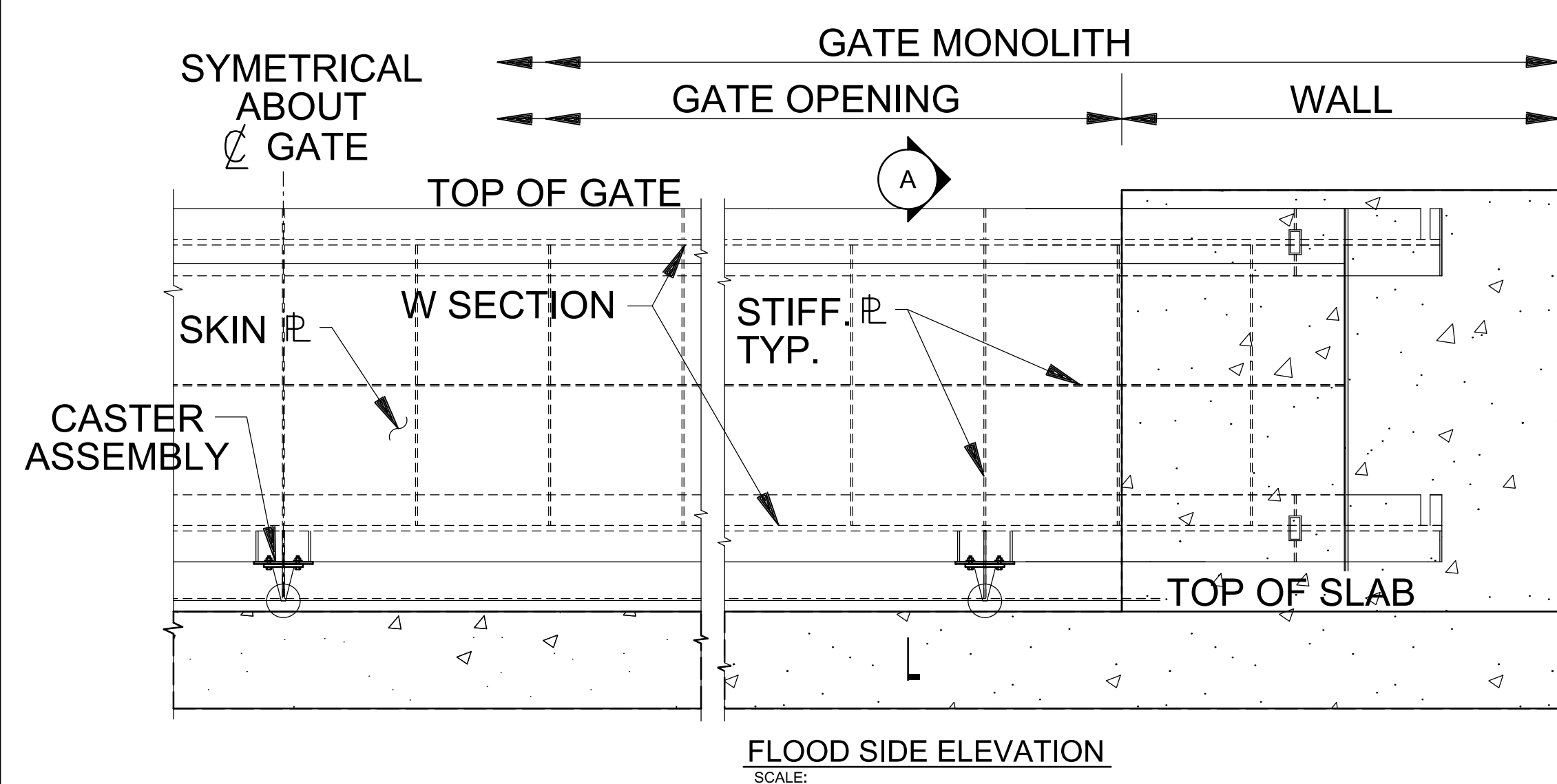
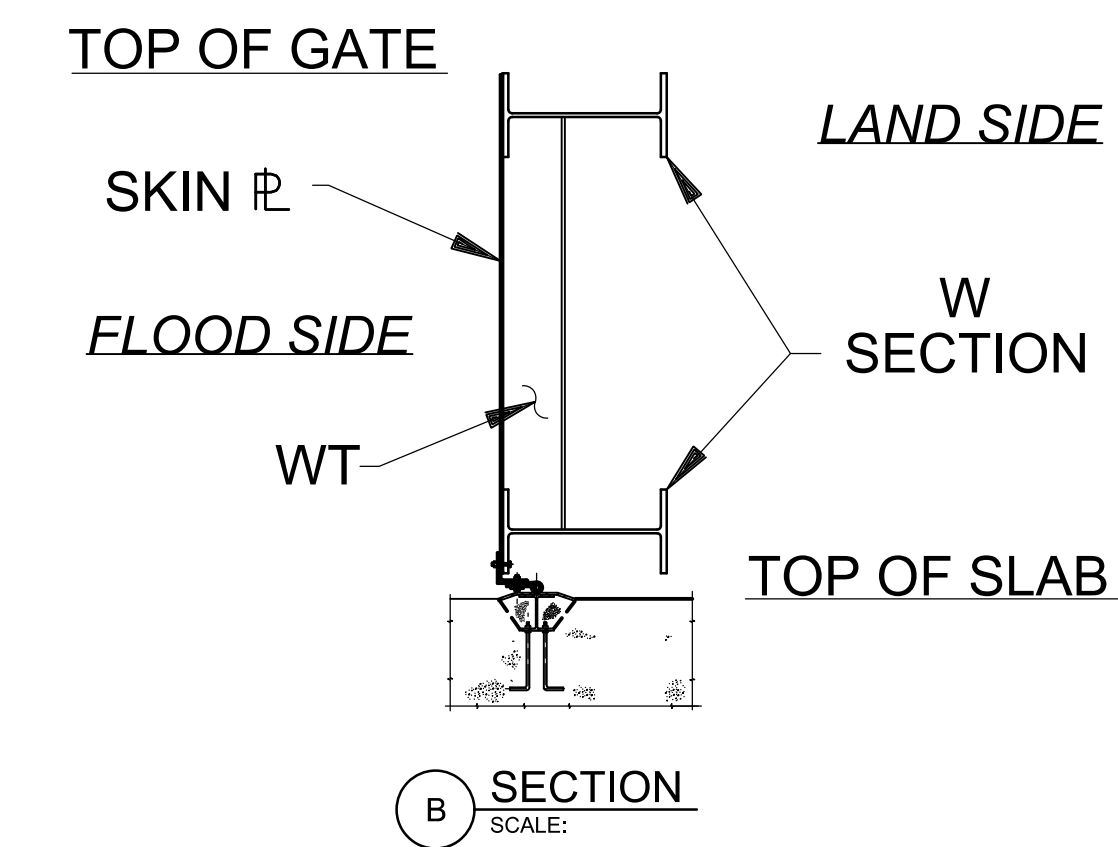
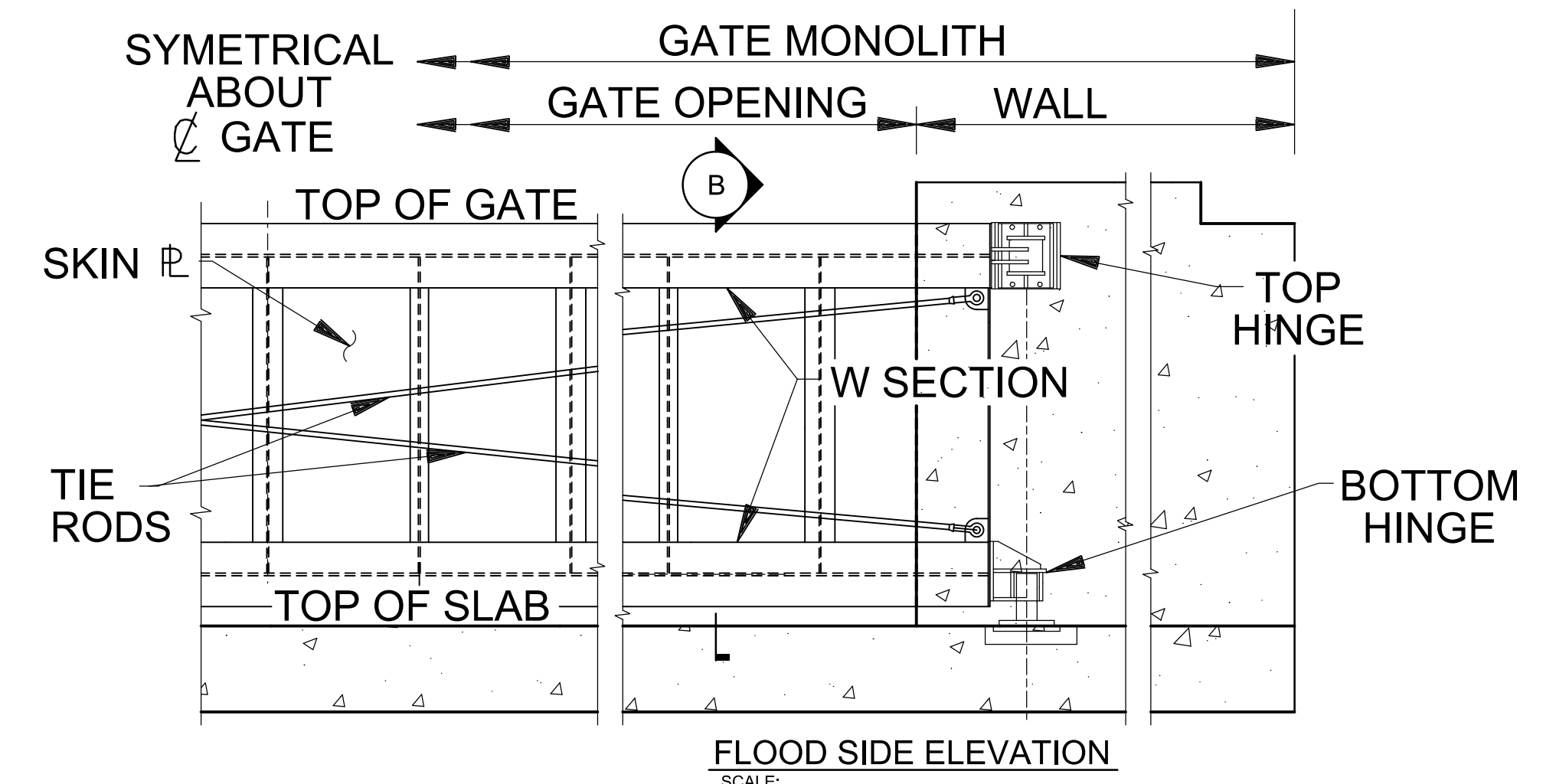
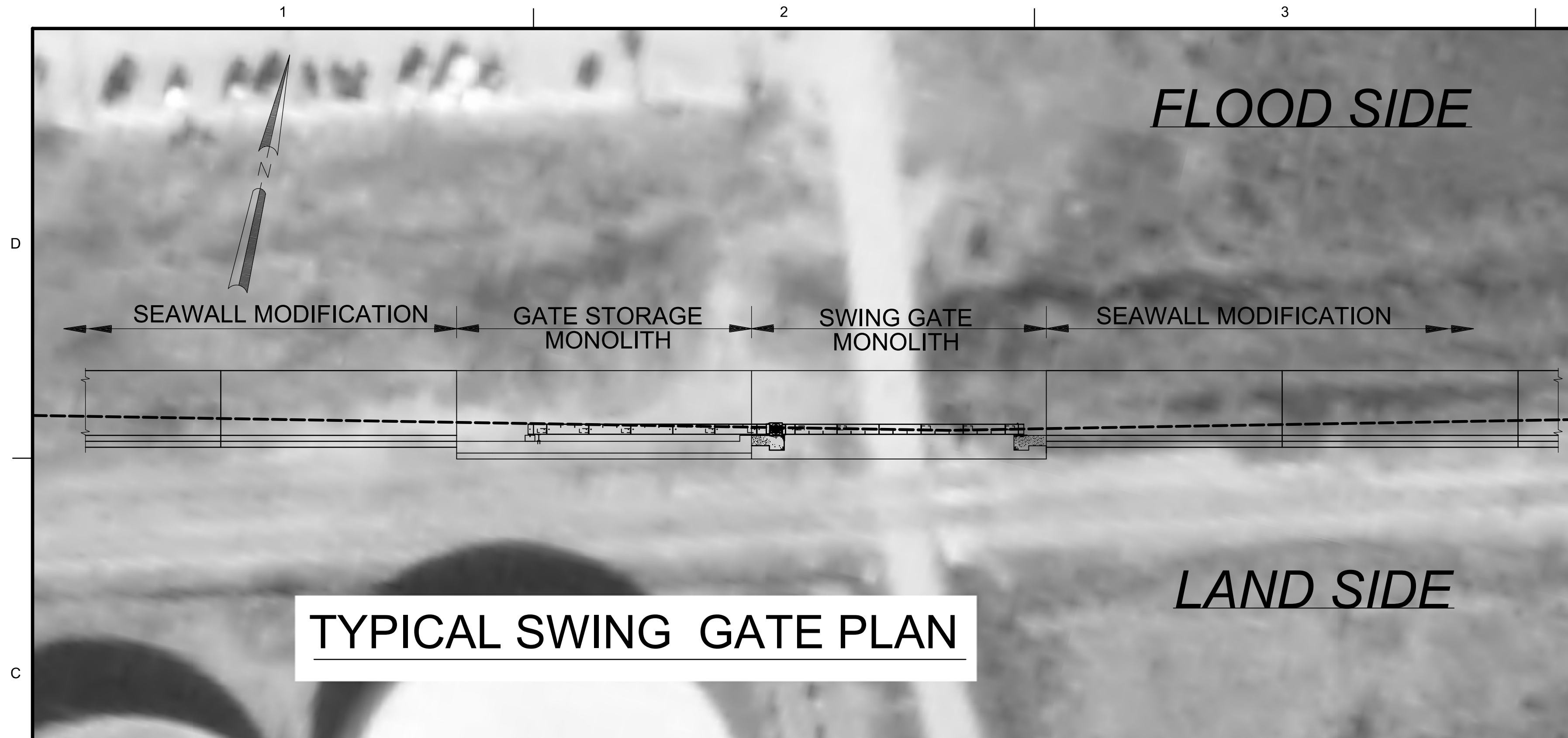


APPR.	DATE	DESCRIPTION

DESIGNED BY:	DATE: 2020
DWN BY:	SUBMITTED BY:

U.S. ARMY CORPS OF ENGINEERS
 NEW ORLEANS DISTRICT
 NEW ORLEANS, LOUISIANA

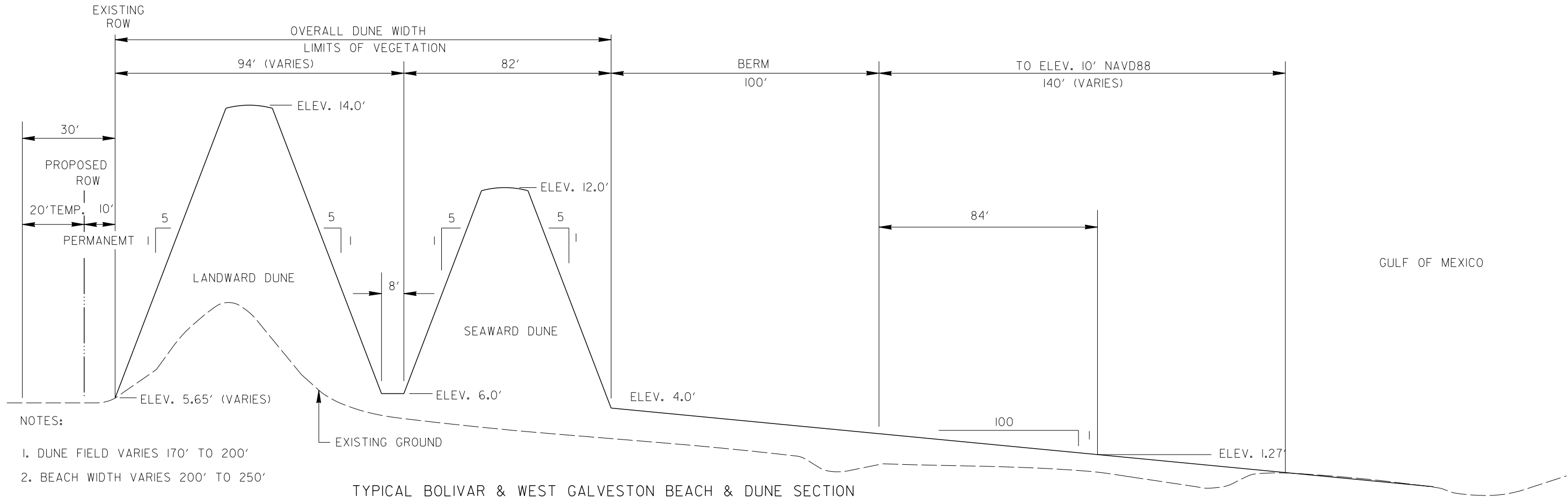
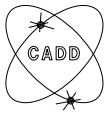
COASTAL TEXAS PROTECTION AND RESTORATION FEASIBILITY STUDY
 DRAFT ENGINEERING APPENDIX
 (NOT FOR CONSTRUCTION)



 US Army Corps of Engineers NEW ORLEANS DISTRICT	
APPR.	DATE
DESCRIPTION	MARK
DATE	APPR.
DESCRIPTION	MARK

DATE: 2020	SUBMITTER: W91298-004-X-0001
DESIGNED BY: CPB	CONTRACT NO.: W91298-004-X-0001
DWN BY: Charles P. Brantley IV, P.E.	FILE NUMBER: H-X-XXXX
U.S. ARMY CORPS OF ENGINEERS NEW ORLEANS DISTRICT NEW ORLEANS, LOUISIANA	PLOT SCALE: PLOT DATE: MAR. 2020 SIZE: ANSI D

COASTAL TEXAS PROTECTION AND RESTORATION FEASIBILITY STUDY DRAFT ENGINEERING APPENDIX (NOT FOR CONSTRUCTION)



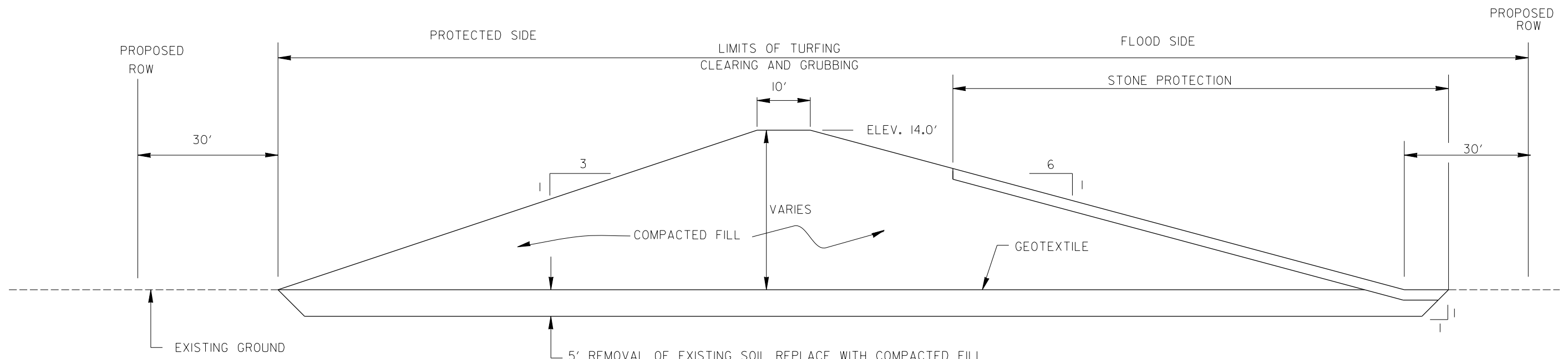
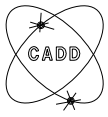
- NOTES:
1. DUNE FIELD VARIES 170' TO 200'
 2. BEACH WIDTH VARIES 200' TO 250'

TYPICAL BOLIVAR & WEST GALVESTON BEACH & DUNE SECTION

SCALE: NTS

COASTAL TEXAS PROTECTION AND RESTORATION STUDY
TYPICAL BEACH & DUNE, SECTION
U.S. ARMY ENGINEER DISTRICT, GALVESTON, TEXAS
ENGINEERING APPENDIX DATED: FEBURARY 2020

GENERAL 3000



TYPICAL BOLIVAR LEVEE SECTION
SCALE: NTS

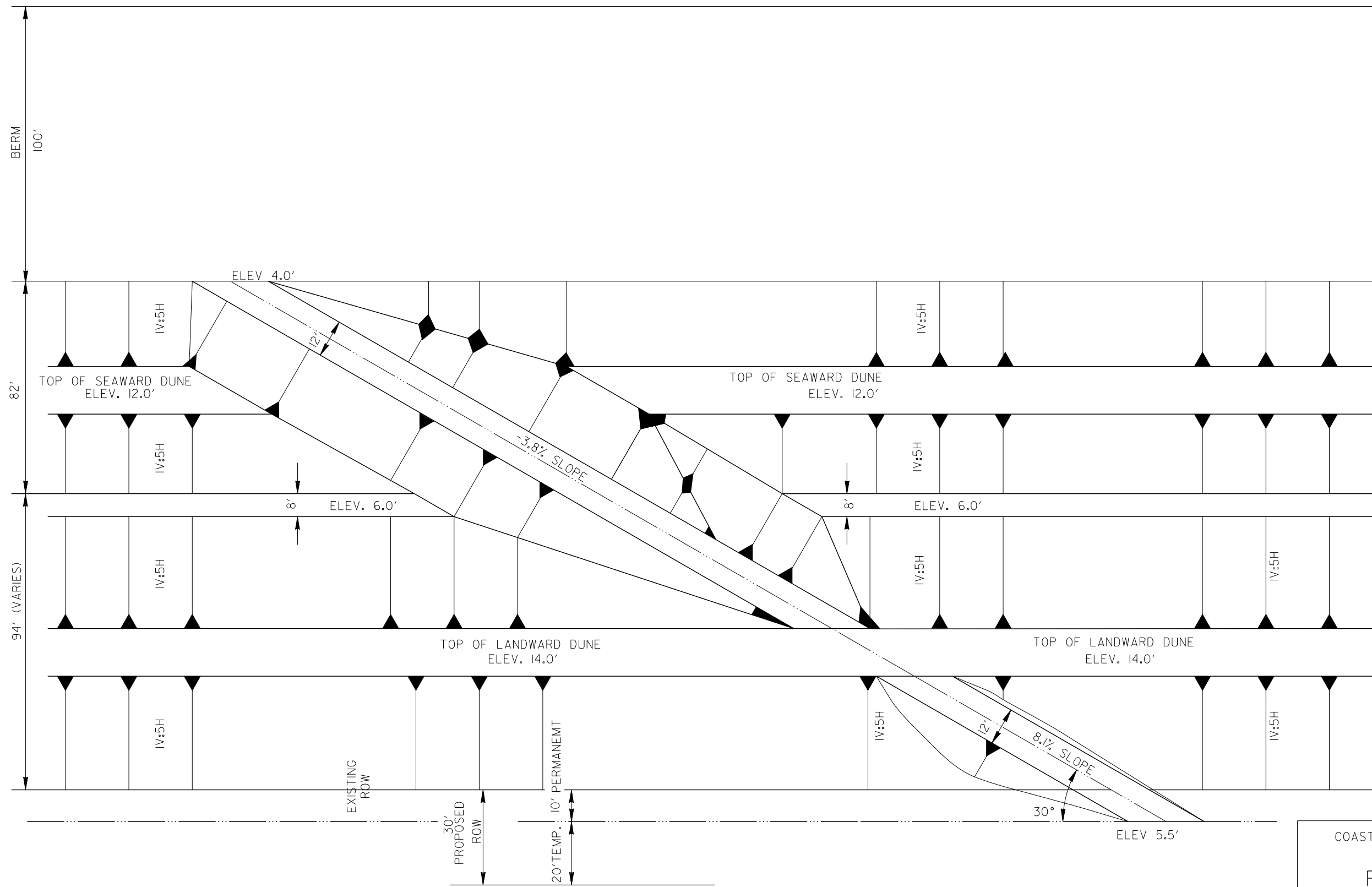
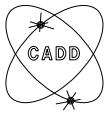
COASTAL TEXAS PROTECTION AND RESTORATION STUDY

TYPICAL BOLIVAR LEVEE SECTION

U.S. ARMY ENGINEER DISTRICT, GALVESTON, TEXAS

ENGINEERING APPENDIX
DATED: FEBURARY 2020

GENERAL 3000

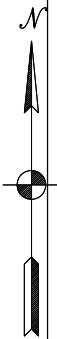
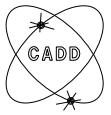


COASTAL TEXAS PROTECTION AND RESTORATION STUDY

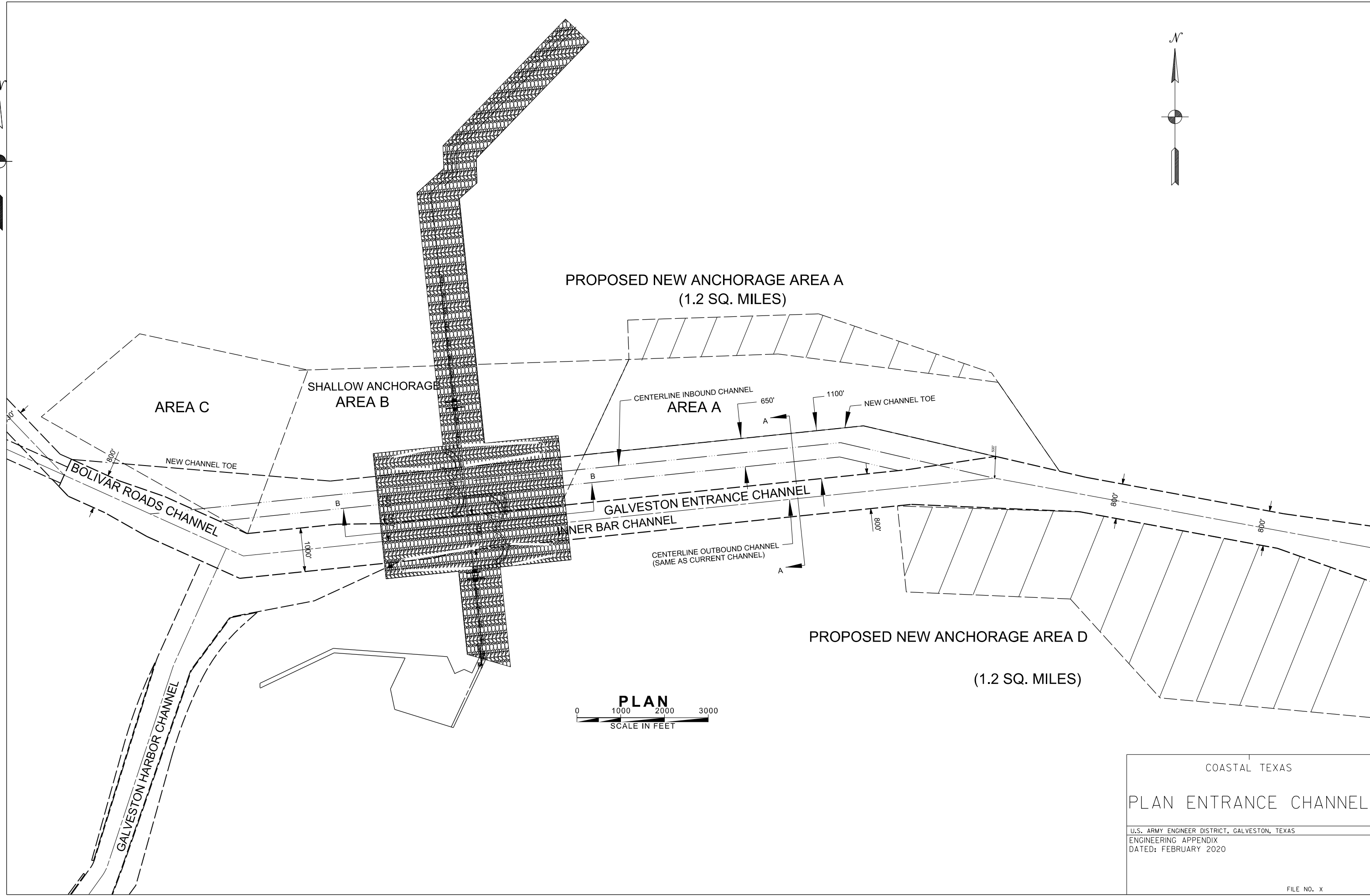
PLAN TYPICAL DUNE ACCESS RAMP

U.S. ARMY ENGINEER DISTRICT, GALVESTON, TEXAS

ENGINEERING APPENDIX
DATED: FEBRUARY 2020



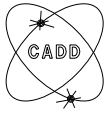
PROPOSED NEW ANCHORAGE AREA A
(1.2 SQ. MILES)



PLAN
0 1000 2000 3000
SCALE IN FEET

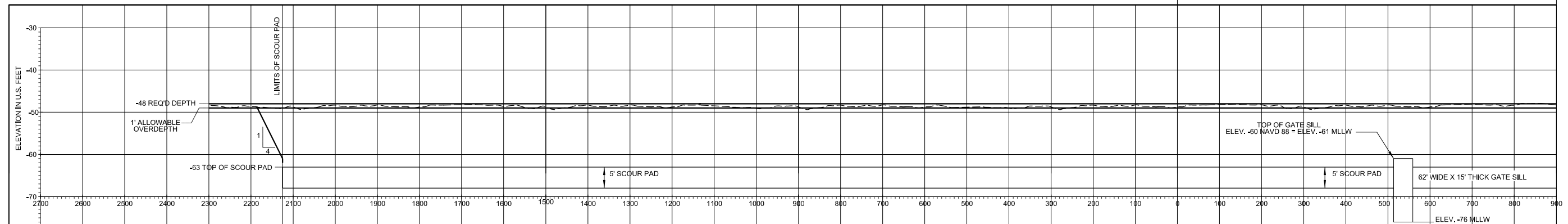
COASTAL TEXAS
PLAN ENTRANCE CHANNEL
U.S. ARMY ENGINEER DISTRICT, GALVESTON, TEXAS
ENGINEERING APPENDIX
DATED: FEBRUARY 2020

FILE NO. X



GATE CROSSING
CENTERLINE

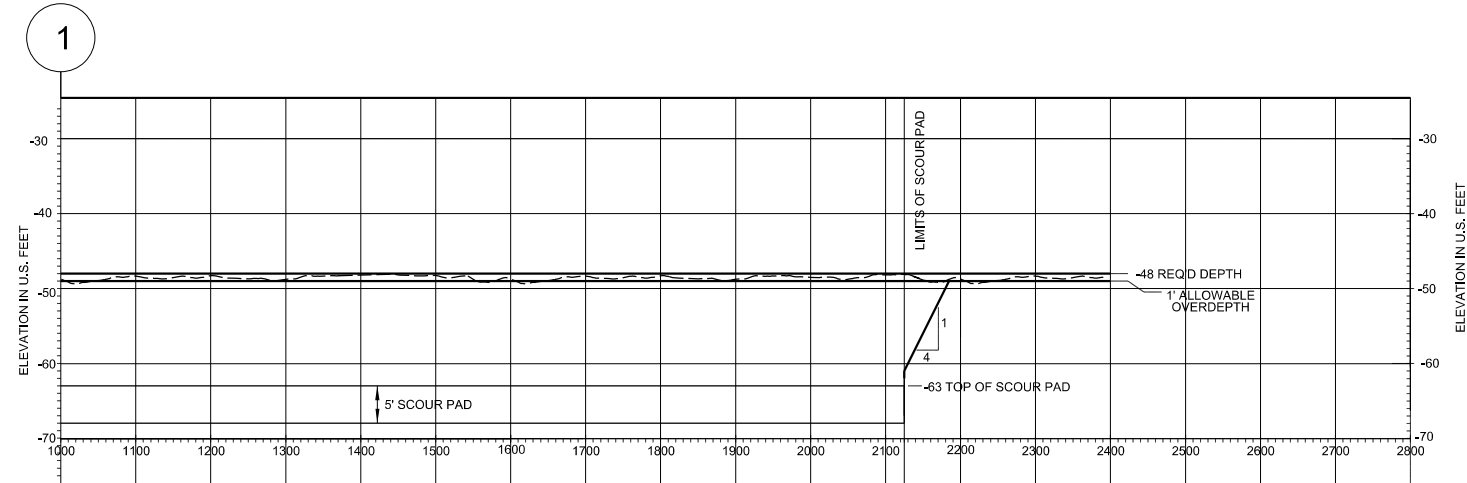
1



SECTION B-B

NOTES: 1. TOP ELEV. OF SCOUR PAD AT 1' BELOW A 1' OF ALLOWABLE OVERDEPTH ELEV. OF -62

1



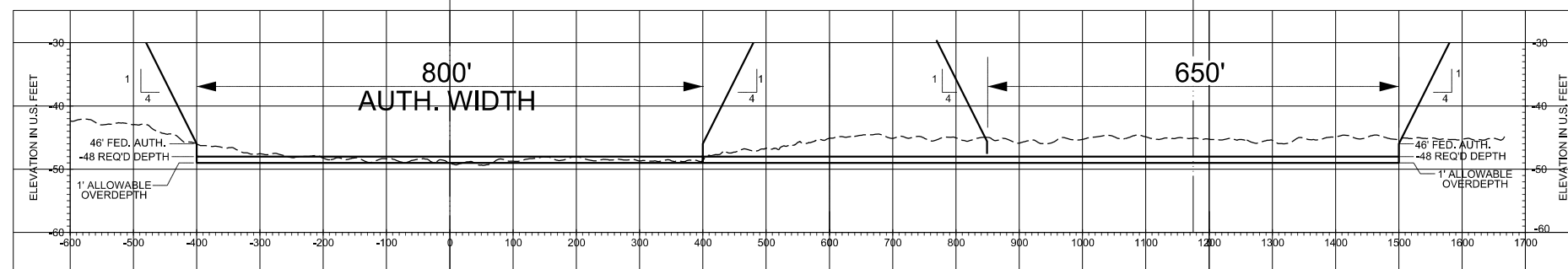
SECTION B-B

NOTES: 1. TOP ELEV. OF SCOUR PAD AT 1' BELOW A 1' OF ALLOWABLE OVERDEPTH ELEV. OF -62

1

EXISTING CENTERLINE
NEW OUTBOUND CHANNEL

CENTERLINE
NEW INBOUND CHANNEL



SECTION A-A = AUTH. CHANNEL STA. 15+000

NOTES:

1. EXISTING ENTRANCE CHANNEL WILL BECOME A ONE-WAY OUTBOUND CHANNEL WITH A SECTOR GATE OPENING OF 650'.
2. DREDGING DEPTHS ARE MLLW.

COASTAL TEXAS PROTECTION AND
RESTORATION STUDY

ENTRANCE CHANNEL
SECTIONS

U.S. ARMY ENGINEER DISTRICT, GALVESTON, TEXAS

ENGINEERING APPENDIX
DATED: FEBRUARY 2020